

Metering Dosing Pumps & Control Equipments



Metering Dosing Pumps

MS series

OBL MS series is manufactured to the highest quality standard to be used extensively in a wide range of demanding manufacturing, industrial and process applications where reliability, accuracy and long term performances are essential.

The product can be configured to meet a large variety of applications and needs: constant flow rate, proportional to an external pace/4-20 mA signals, built-in controllers for pH, conductivity, redox and chlorine.



MS.e

Metering dosing pumps

Constant flow rate regulation.
PVDF pump head with FPM seals



- LCD 2.1/2 digit display
- Flow rate digital adjustment 0-100% by keys
- PVDF pump head as standard
- Power on led
- Led Alarm
- Solenoid pulse Led
- Chemical dosing alarm level on demand
- ON/OFF switch
- Start/Stop key
- Polypropylene Plastic box with 30% fiber glass
- IP65 protection degree

SELECTION GUIDE

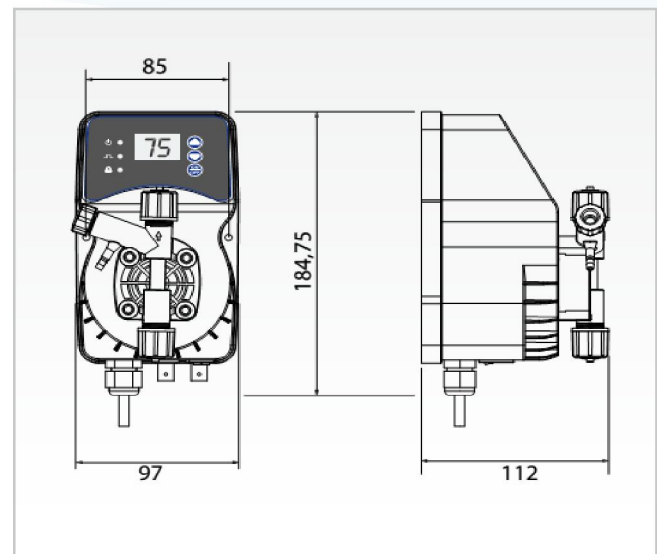
MODEL	FLOW RATE MAX (l/h)	PRESSURE MAX (bar)	FREQUENCY MAX (imp/min)	ML/PULSE	MAX SUCTION HIGH (m)	STANDARD POWER SUPPLY (*)	WEIGHT (kg)
MS.E 01-15	1	15	120	0,14	2.0	230 V-50/60 Hz	1,4
MS.E 02-10	2	10	120	0,28	2.0	230 V-50/60 Hz	1,4
MS.E 05-05	5	5	120	0,69	2.0	230 V-50/60 Hz	1,4

(*) For other power supply consult factory.

MATERIALS OF CONSTRUCTION

PARTS	MATERIALS
Pump head	PVDF (on request: Polypropylene)
Diaphragm	PTFE
Connections	PVDF
Foot filter	Polypropylene
Injection valve	Polypropylene
Suction tube	PVC crystal 4x6 mm.
Delivery tube	Polyethylene 4x6 mm.
Standard valves	Ceramic ball
Seals	FPM (on request: EPDM)
On request	Level connection (BNC)
Max current	1A

OVERALL DIMENSIONS



MS.k

Metering dosing pumps

Constant flow rate regulation.
PVDF pump head with FPM seals



- LCD 2.1/2 digit display
- Flow rate digital adjustment 0-100% by keys
- PVDF pump head as standard
- Power on led
- Led Alarm
- Solenoid pulse Led
- Chemical dosing alarm level as standard
- Start/Stop key
- Plastic box IP65 protection degree
- Percentage by UP/DOWN arrow keys
- Start/pause dosing

SELECTION GUIDE

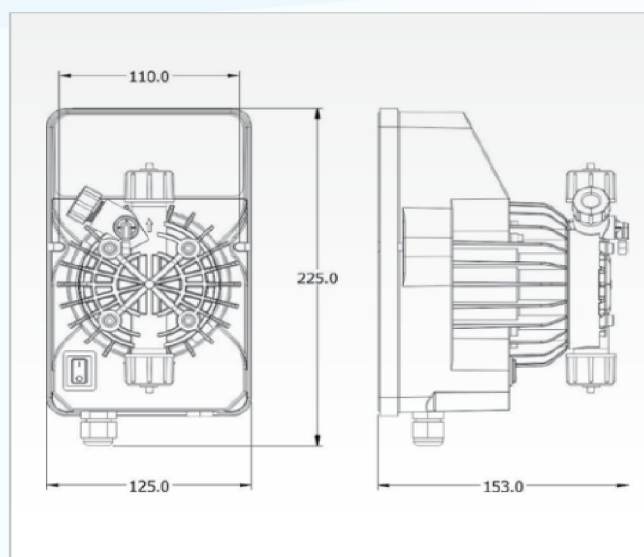
MODEL	FLOW RATE MAX (l/h)	PRESSURE MAX (bar)	FREQUENCY MAX (imp/min)	ML/PULSE	MAX SUCTION HIGH (m)	STANDARD POWER SUPPLY (*)	WEIGHT (kg)
MSK 01-15	1	15	120	0,14	2.0	230 V-50/60 Hz	2,3
MSK 02-10	2	10	120	0,28	2.0	230 V-50/60 Hz	2,3
MSK 05-07	5	7	120	0,69	2.0	230 V-50/60 Hz	2,3
MSK 10-10	10	10	180	0,93	2.0	230 V-50/60 Hz	2,3
MSK 20-03	20	3	200	1,67	2.0	230 V-50/60 Hz	2,3
MSK 50-01	50	1	220	3,97	2.0	230 V-50/60 Hz	2,3

(*) For other power supply consult factory.

MATERIALS OF CONSTRUCTION

PARTS	MATERIALS
Pump head	PVDF
Diaphragm	PTFE
Connections	PVDF
Foot filter	Polypropylene
Injection valve	Polypropylene
Suction tube	PVC crystal 4x6 mm. (8x12 mm. - MS.K 50-01)
Delivery tube	Polyethylene 4x6 mm. (8x12 mm. - MS.K 50-01)
Standard valves	Ceramic ball
Seals	FPM (on request: EPDM)
On request	Level connection
Max current	1A

OVERALL DIMENSIONS



MS.plus

Metering dosing pumps

Proportional dosing to an external facing pulses from a water meter or to an industry standard 4-20 mA control signal.

PVDF pump head with FPM seals



- Backlighted graphic display
- Proportional to an internal pacing pulses (water pulse sender): ppm mode and n:m mode
- Proportional to an external signal 4-20 or 20-4 mA, (both ranges selectable: mA and dosing frequency range)
- Constant flow rate mode
- Automatic regulation of frequency dosing (the pump automatically follows the flow variation)
- Automatic managing of excessive external pulses, self-regulation of dosing frequency
- Chemical dosing alarm levels as Standard
- IP65 protection degree
- PVDF pump head standard

SELECTION GUIDE

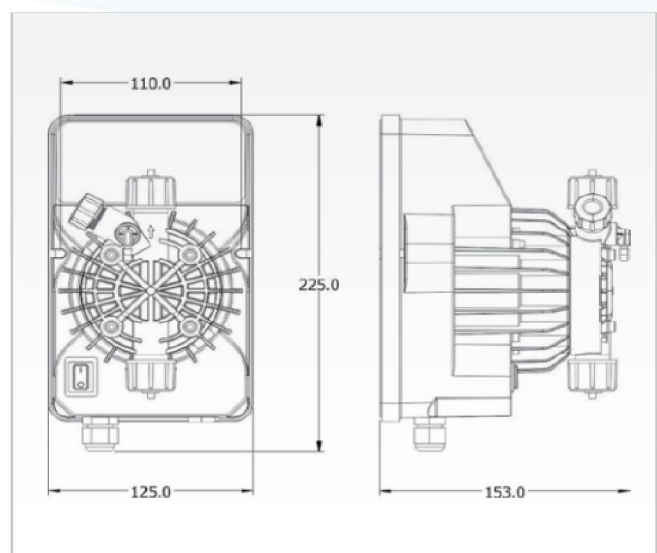
MODEL	FLOW RATE MAX (l/h)	PRESSURE MAX (bar)	FREQUENCY MAX (imp/min)	ML/PULSE	MAX SUCTION HIGH (m)	STANDARD POWER SUPPLY (*)	WEIGHT (kg)
MSplus 01-15	1	15	120	0,14	2.0	230 V-50/60 Hz	2,3
MSplus 02-10	2	10	120	0,28	2.0	230 V-50/60 Hz	2,3
MSplus 05-07	5	7	120	0,69	2.0	230 V-50/60 Hz	2,3
MSplus 10-10	10	10	180	0,93	2.0	230 V-50/60 Hz	2,3
MSplus 20-03	20	3	200	1,67	2.0	230 V-50/60 Hz	2,3
MSplus 50-01	50	1	220	3,79	2.0	230 V-50/60 Hz	2,3

(*) For other power supply consult factory.

MATERIALS OF CONSTRUCTION

PARTS	MATERIALS
Pump head	PVDF
Diaphragm	PTFE
Connections	PVDF
Foot filter	Polypropylene
Injection valve	Polypropylene
Suction tube	PVC crystal 4x6 mm. (8x12 mm. - MS.plus 50-01)
Delivery tube	Polyethylene 4x6 mm. (8x12 mm. - MS.plus 50-01)
Standard valves	Ceramic ball
Seals	FPM (on request: EPDM)
Max current	1A

OVERALL DIMENSIONS



MS.i

Metering dosing pumps

Built-in instruments for pH, Redox, free chlorine and conductivity control and regulation.
PVDF pump head with FPM seals.



- Backlighted graphic display
- Very easy to use: programming way easily programmable thanks to user-friendly intuitive and softteam
- Proportional dosing to the set-point value or On/Off mode
- Constant flow rate mode
- Level probe input
- Plastic box IP65 protection degree
- PVDF pump head standard
- Chemical dosing alarm level as standard
- Version pH/Redox(mV) selectable from the user
- Start/Stop key
- Measure ranges:
 - pH: 0-14,00 pH; BNC input from pH probe
 - Redox(mV): 0-1999 mV; BNC input from Redox(mV) probe
 - Free Chlorine: 0-10,00 ppm; Input probe SCLO series
 - Conductivity: 0-10.00 mS with probe SCD K1; other ranges available 1000mS, 100 mS, 10 mS, with probe SCD K5

SELECTION GUIDE

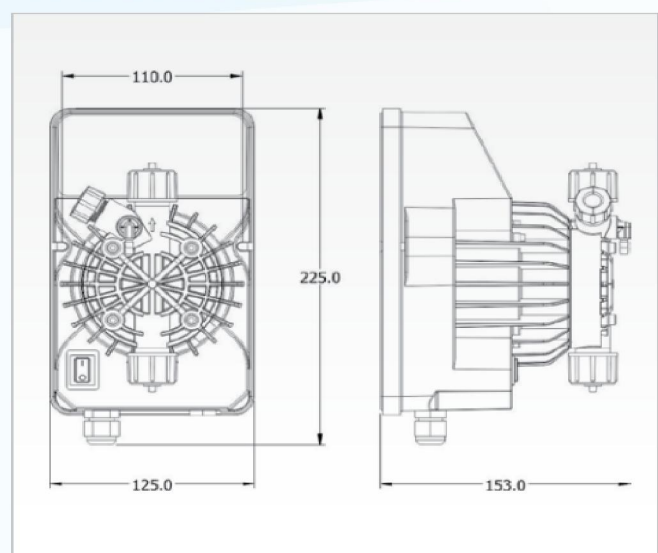
MODEL	FLOW RATE MAX (l/h)	PRESSURE MAX (bar)	FREQUENCY MAX (imp/min)	ML/PULSE	MAX SUCTION HIGH (m)	STANDARD POWER SUPPLY (*)	WEIGHT (kg)
MS.i 01-15	1	15	120	0,14	2.0	230 V-50/60 Hz	2,3
MS.i 02-10	2	10	120	0,28	2.0	230 V-50/60 Hz	2,3
MS.i 05-07	5	7	120	0,69	2.0	230 V-50/60 Hz	2,3
MS.i 10-10	10	10	180	0,93	2.0	230 V-50/60 Hz	2,3
MS.i 20-03	20	3	200	1,67	2.0	230 V-50/60 Hz	2,3
MS.i 50-01	50	1	220	3,79	2.0	230 V-50/60 Hz	2,3

(*) For other power supply consult factory - X4 - 1-MSi PA / 2 -MSi RX / 3 -MSi Conduction / 4 -MSi Free chlorine

MATERIALS OF CONSTRUCTION

PARTS	MATERIALS
Pump head	PVDF
Diaphragm	PTFE
Connections	PVDF
Foot filter	Polypropylene
Injection valve	Polypropylene
Suction tube	PVC crystal 4x6 mm. (8x12 mm. - MS.i 20/50)
Delivery tube	Polyethylene 4x6 mm. (8x12 mm. - MS.i 20/50)
Standard valves	Ceramic ball
Seals	FPM (on request: EPDM)
Max current	1A

MAX OVERALL DIMENSIONS





OBL s.r.l.

Via Kennedy, 12
20090 Segrate - MILANO - IT
Tel. +39-02.269191
Fax +39-02.2133893
www.oblpumps.it
obl.info@idexcorp.com



<http://minhchauvn.com/>