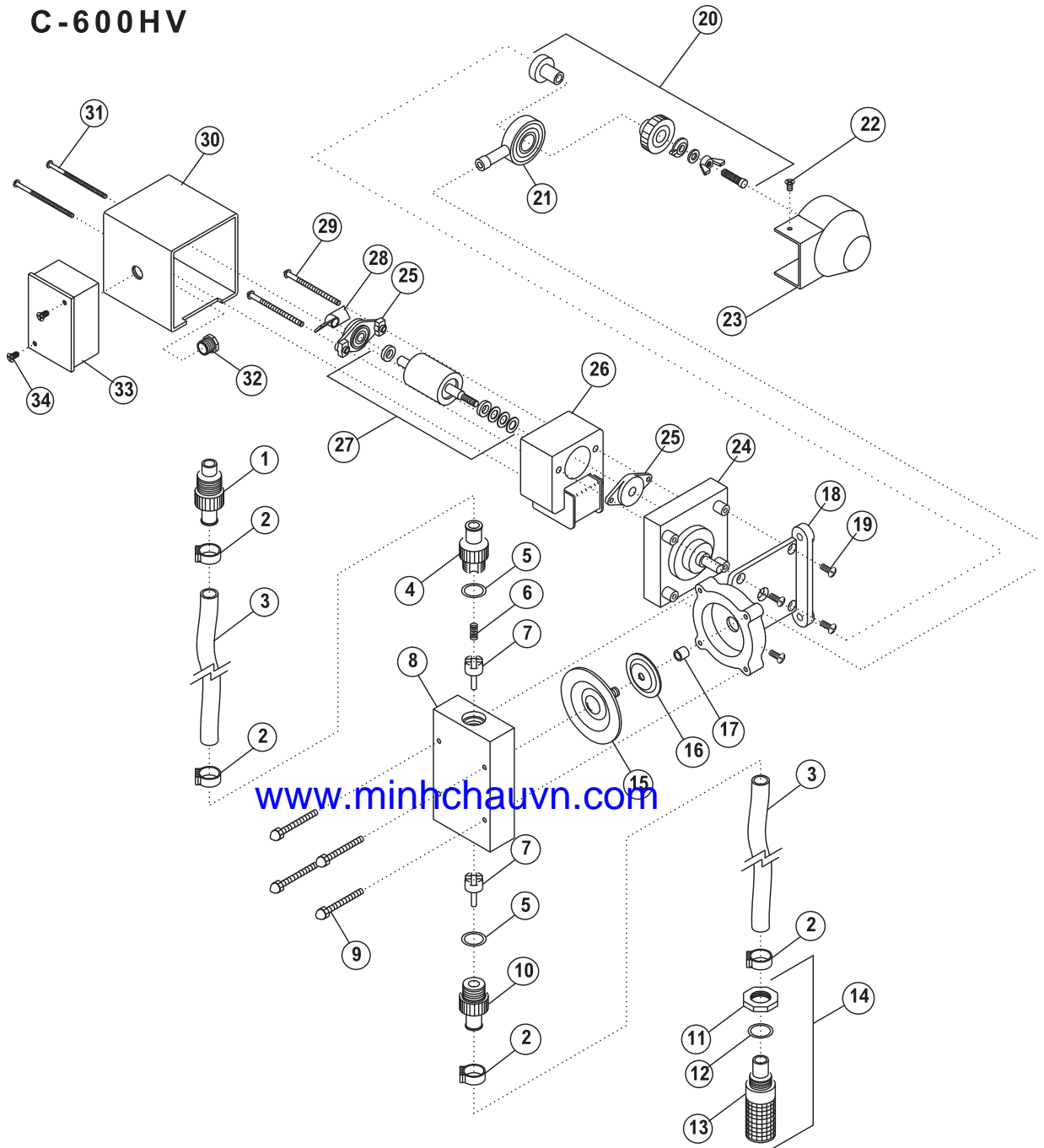


Exploded View

C-600HV



C-600HV Parts List

	<u>Catalog No.</u>	<u>Description</u>	<u>Amount Reqd.</u>
1.	C-3391-10	Injection Fitting	1
2.	C-3330	Clamp	4
3.	C-334-10	Tubing 5/8" O.D. , 5FT	2
	4.C-428-10	Top Adaptor, 5/8" Tube	1
5.	90003-033	O-ring (EP) (Viton)	1
6.	C-354-2	Spring	1
7.	C-926E	Check Valve (Hypalon)	1
	C-926V	Check Valve (Viton)	1
8.	C-3203	Headblock (Clear) (Polyethylene)	1
9.	C-3504	Screw, (Headblock) #8-32X1 1/2	4
10.	C427-10	Bottom Adaptor, 5/8" Tube	1
11.	C-3345C	Lock Nut	1
12.	C-3345C	O-ring	1
13.	C-3373-10	Foot Strainer	1
14.	C-3393-10	Combination Foot Strainer Bulkhead	1
15.	C-3106NH	Diaphragm (Hypalon)	1
	C-3106NV	Diaphragm (Viton)	1
16.	90006-526	Aluminum Backup Washer	1
17.	76000-514	H.V. Aluminum Spacer	1
18.	C-3301	Motor Mount	2
19.	C-624	Screw 10-32X1/2	4
20.	C-3325	Cam Set	1
21.	C-3304	Yoke and Bearing	1
22.	90011-155	Screw 6-32X3/8"	1
23.	90002-201	Cam Cover	1
24.	C-618P-60	Gearbox Assembly(60 RPM)	1
	C-618P-125	Gearbox Assembly(125 RPM)	1
	C-618P-250	Gearbox Assembly(250 RPM)	1
25.	C-612PB	Armature Bearing	2
26.	C-615P1	Motor Winding (115V-60hz)	1
	C-615P2	Motor Winding (230V-60hz)	1
	C-615P3	Motor Winding (220V-50hz)	1
27.	70000-027	Rotor w/ Spacers	1
28.	C-612F	Armature Fan	1
29.	C-625	Motor Screw 8-32X2 3/4	2
30.	C-608P	Motor Cover (Zinc)	1
	C-608P(AL)	Motor Cover (Aluminum)	1
31.	C-628	Cover Screw 6-32 X 2 3/4	2
32.	90007-515	1/2" Aluminum Chase Nipple	1
33.	C-308J	Junction Box	1
34.	90011-129	Junction Box screw 8-32 X 5/16	2