



啓碩機械廠有限公司  
CHI-SHUN MACHINERY PLANT CO.,LTD.

NBD 系列  
NBD SERIES

全自動滾筒式/帶濾式 污泥調理·濃縮·脱水·三機一體  
AUTOMATIC BELT PRESS WITH ROTARY DRUM SCREEN



啓碩機械廠有限公司  
CHI-SHUN MACHINERY PLANT CO.,LTD.

ADD : No.306,Dashun St,Gueiren Township,Tainan County 71148,Taiwan  
TEL : + 886 6 2392501 FAX : + 886 6 2391759  
E-mail : chishun.com@msa.hinet.net  
Web site : www.chishun.com.tw

代理/經銷商 DISTRIBUTOR



NBD-B SERIES

# CHI-SHUN



## 關於啓碩

1983年，台灣啓碩機械廠有限公司創立於台灣的台南縣，二十多年來致力於高質量廢水處理設備，集研發、設計、製造、銷售及服務於一體，生產各種廢水處理設備包括了污泥濃縮機、污泥濃縮脫水一體機、板框式污泥脫水機、粉體自動泡藥機、加壓快速浮除設備、自動攔污柵、污泥焚化乾燥系統...等。

為提升污泥脫水設備的品質及效能，並在設備各方面取得突破性發展，公司於1988年領先同業引進德國優秀的固液分離技術，結合啓碩自身先進的機械制作與精密加工不斷求新求變，研發出新一代的NBD系列--全自動滾筒式/帶濾式污泥調理·濃縮·脫水·三機一體系列及全自動板框式脫水機系列，躍身成為污水處理設備之領導廠商。在公司持續不斷的研發中，產品多次獲得台灣經濟部及工業部所頒發的優質環保設備獎，並取得多項設計專利。

因應專業性與國際性共通的標準化，為滿足顧客要求和適用法規的能力，啓碩更於2000年通過ISO 9001國際質量認證，所生產的設備行銷到世界各國，如美國、加拿大、英國、澳大利亞、西班牙、墨西哥、中國、印度、新、馬、印、泰、越等二十多個國家並獲得良好口碑，同時也得到如豐田汽車、雀巢公司、統一企業、奧林巴斯、日月光...等世界知名企業的一致好評。

啓碩機械所生產的各類廢水處理設備，應用範圍廣泛能適用於各種產業廢水，如紙漿業、印染業、電鍍業、皮革業、金屬加工業、石材業、城市混合污泥、城市剩餘活性污泥、混合污泥...等。

創新、質量、效能和安全是我們的基本原則，而對於品質的嚴格要求，一直是啓碩對客戶的承諾與驕傲所在，未來我們也將持續不斷的突破與創新，與世界各地朋友合作為環境保護和社會進步盡一份心。

## 給世界一個乾淨的環境

GIVE THE WORLD A CLEAN ENVIRONMENT



## 創新·質量·效能·安全

Innovation · Quality · Efficiency · Safety

Since founded in 1983, CHI SHUN MACHINERY PLANT CO., LTD. has devoted to the professional manufacturing of sludge and wastewater treatment. With over 20 years of design, manufacturing and marketing experience, our products and services have throughout the world and are enjoying a good reputation.

Our products including DRUM THICKENER SYSTEM, BELT FILTER PRESSES, FILTER PRESSES, POLYMER PREPARATION SYSTEM, DISSOLVED AIR FLOTATION, BAR SCREEN and SLUDGE DRYER.

For breakthrough in high quality, efficiency and good shape of wastewater treatment; CHI SHUN adopted newest skills from Germany, and then we created the whole new belt filter presses.

Continuous improvements of product quality and reliability have always been our first priority. In 2001, CHI SHUN is Taiwan's first manufacturer in the industry to be certified by AFAQ-EAQA to comply with Quality Management System requirements of ISO 9001:2000. We also obtain the Taiwan excellence product and patent licenses from economic Ministry. Now CHI SHUN has become the leading manufacturer of wastewater treatment systems throughout Asia.

Furthermore, we are an international provider of integrated wastewater treatment solutions, offering equipment, systems and services throughout the world.

Equipment can be provided either standard-alone or as part of complete system to treat municipal, industrial and any process wastewater.

Innovating, high quality, high efficiency and use friendly are our features. We strive to produce high quality machines and maintain its low cost. Our onsite services and warranty will provide you with complete peace of mind and absolute satisfaction. With us, you are in good hands. Please do not hesitate to contact us if you have any questions or require any additional information.

Evolution

# 發展沿革

1983年  
 從啓碩生產出第一代脫水機開始，  
 本着永續經營的理念，  
 集合專業的技術及經驗，  
 從科技的視角，  
 精密設計出一套嚴謹的組織管理，  
 透過優秀的專業人才落實到產品質量，  
 隨同歷史演化進程，  
 產品質量不斷創新發展，  
 啓碩近30年的雄厚積澱與不輟奮進，  
 讓不斷創新求進的最新產品，  
 為啓碩做最好的質量見證。



**1983**  
 第一代脫水機誕生  
 Generation I



**1988**  
 第二代脫水機誕生  
 Generation II



**1990**  
 進行更人性化及功能性的改良  
 那年我們榮獲不凡佳評  
 Favor comments for the humanized  
 improvement in 1990



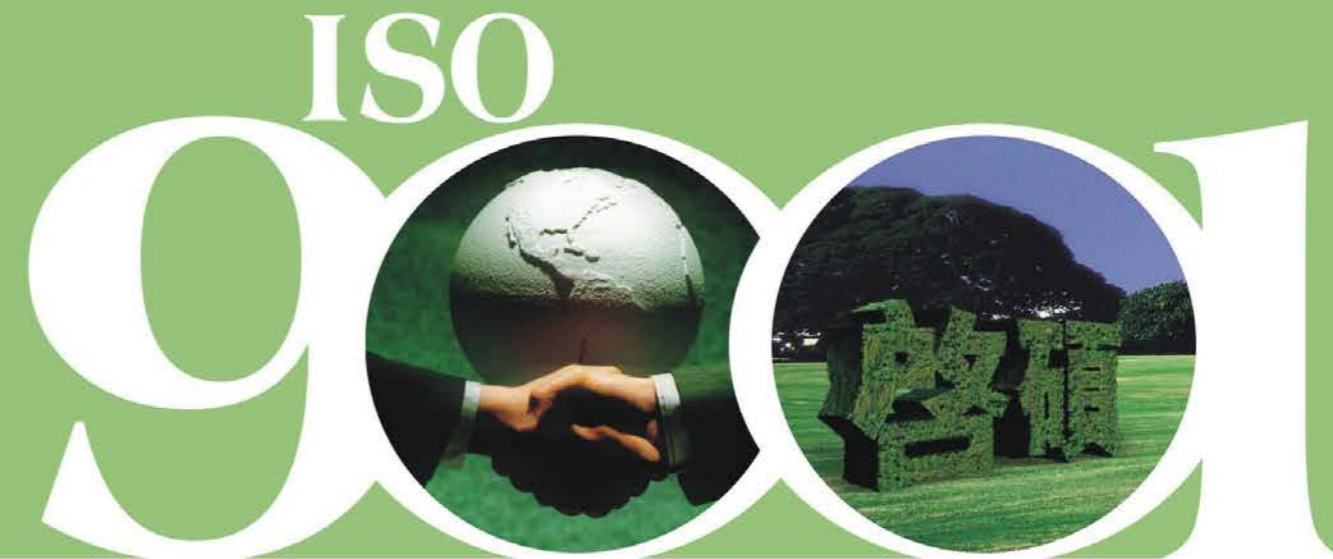
**2001**  
 6台3米帶寬排列，實力成就  
 Magnificent performance



**2009**  
 集結近30年雄厚經驗實踐  
 所生產新一代污泥脫水機  
 質量、創新、效能、安全四合一  
 The latest type

# 實力認證

Qualit Certification



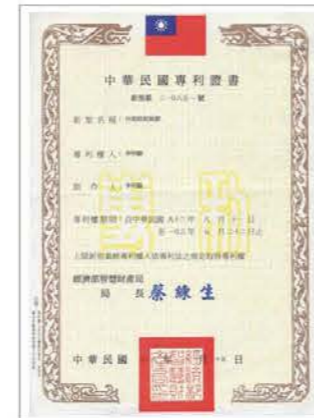
84年專利證書  
 Patent license in 1995



87年專利證書  
 Patent license in 1998



90年專利證書  
 Patent license in 2001



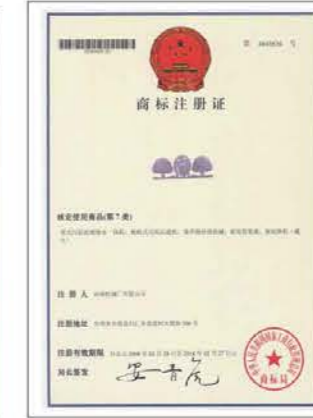
92年專利證書  
 Patent license in 2003



優良環保設備證書  
 Obtain the taiwan excellence  
 product from economic ministry



優良環保設備獎牌  
 Obtain the taiwan excellence  
 product from economic ministry



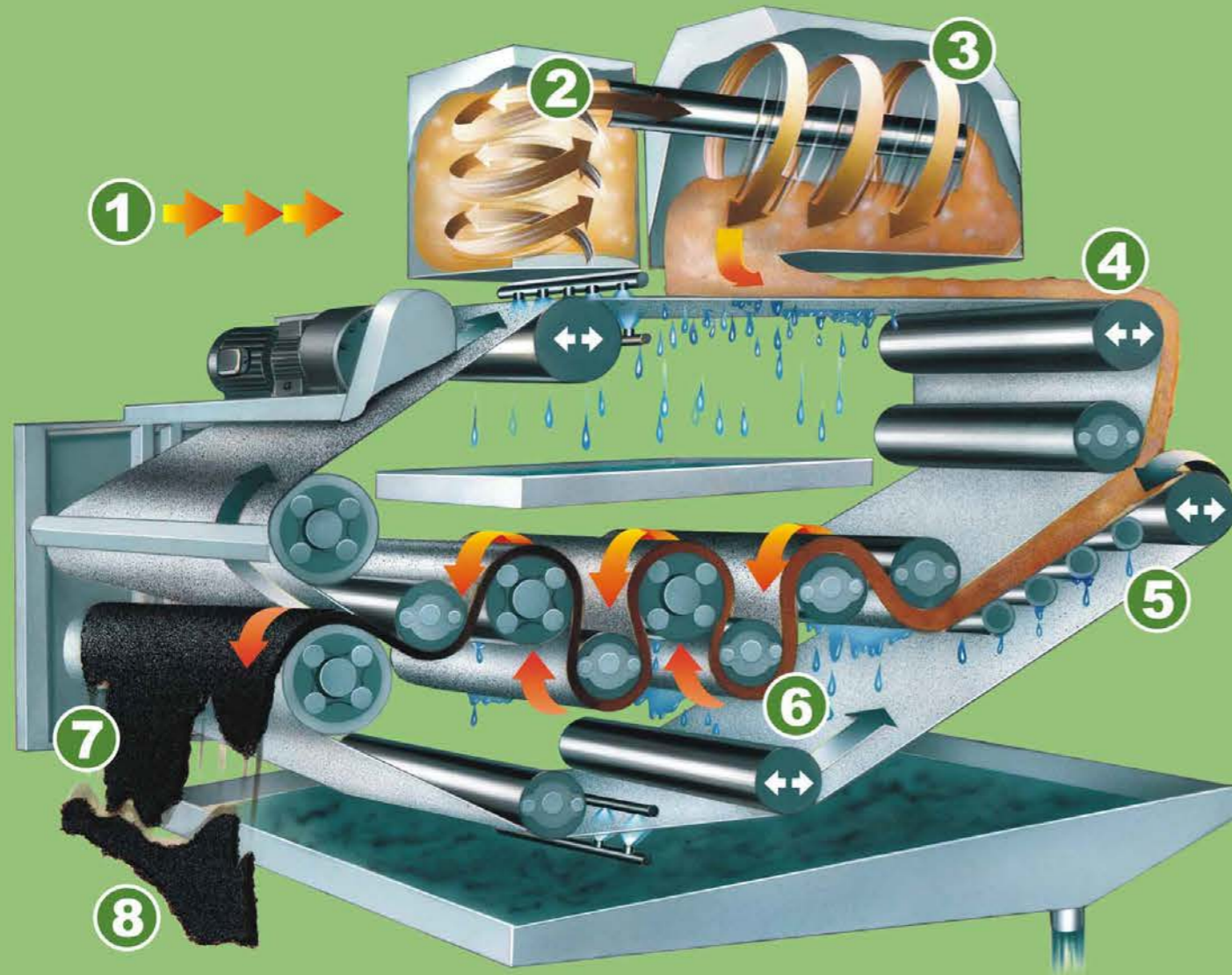
大陸證書  
 Obtain the environmental protection  
 equipment from china



ISO 9001證書  
 Obtain ISO 9001 certification

# 處理程序

Treatment Procedures



- 1**  
污泥濃縮  
Sludge Thickening

將污水處理廠產生之污泥，利用重力沉降濃縮方式形成濃度較高、體積較少之污泥，降低處理成本。  
To reduce treatment cost, the sludge is thickened by the gravity sediment.
- 2**  
污泥調理  
Flocculation Tank

濃縮後污泥經加入高分子凝集劑混合調理，可改變污泥固形物的物理、化學性質，減少與水的親和力，增大凝集力使固形物粗粒化，改善脫水性藉鑒以增進脫水效果。  
Flocculation tanks are used to mix polymer and sludge prior to sludge dewatering. Floc tanks generally have an open top, which allows operators to easily visually observe floc conditions.
- 3**  
離心濃縮脫水  
Rotary Dewatering

污泥經離心調理後，進入旋轉篩濾機，藉旋轉攪拌作用，使污泥完全翻騰，充分攪拌混合，大量自由水及間隙水因而分離出。  
Sludge flows into rotary drum screen. Due to rotation mixing, a lot of free water would be separated from the sludge.
- 4**  
重力脫水  
Gravity Drainage

滾輪上，因污泥自重而產生低幅震動可使污泥間隙水自濾布上濾出。  
On the roller, the gap water is draining off from the belt due to the low span vibration of the filter and gravity of the sludge.
- 5**  
擠壓脫水  
Compression Dewatering

污泥由上濾布落至下濾布，徐徐進入擠壓脫水區，此時上下濾布呈楔狹方式緩緩加壓於污泥上，污泥大量脫水，再以一定污泥厚度進入剪力壓榨區。  
After gravity drainage zone, the sludge is carried into wedge shape compression dewatering section and gradually compressed. Then a certain thick sludge pass in the shear dewatering section.
- 6**  
剪力脫水  
Pressing Zone

污泥進入多段式S型加壓滾輪間，受到上下濾布高壓剪力作用，形成污泥餅。  
The sludge enters into pressure zone, the pressing force is from the S-shaped configuration of dewatering rollers.
- 7**  
污泥餅  
Sludge Cake

此時污泥餅含水率（依污泥性質）約75-85%。  
The water content of the sludge cake is about 75-85% (based on different sludge characteristic)
- 8**  
運埋  
Cake Removal

污泥餅自刮板滑下，收集後回收或運埋。  
At this discharge of the press, the cake is scraped off by the blade and is recycled or land filled.

## 機械特點

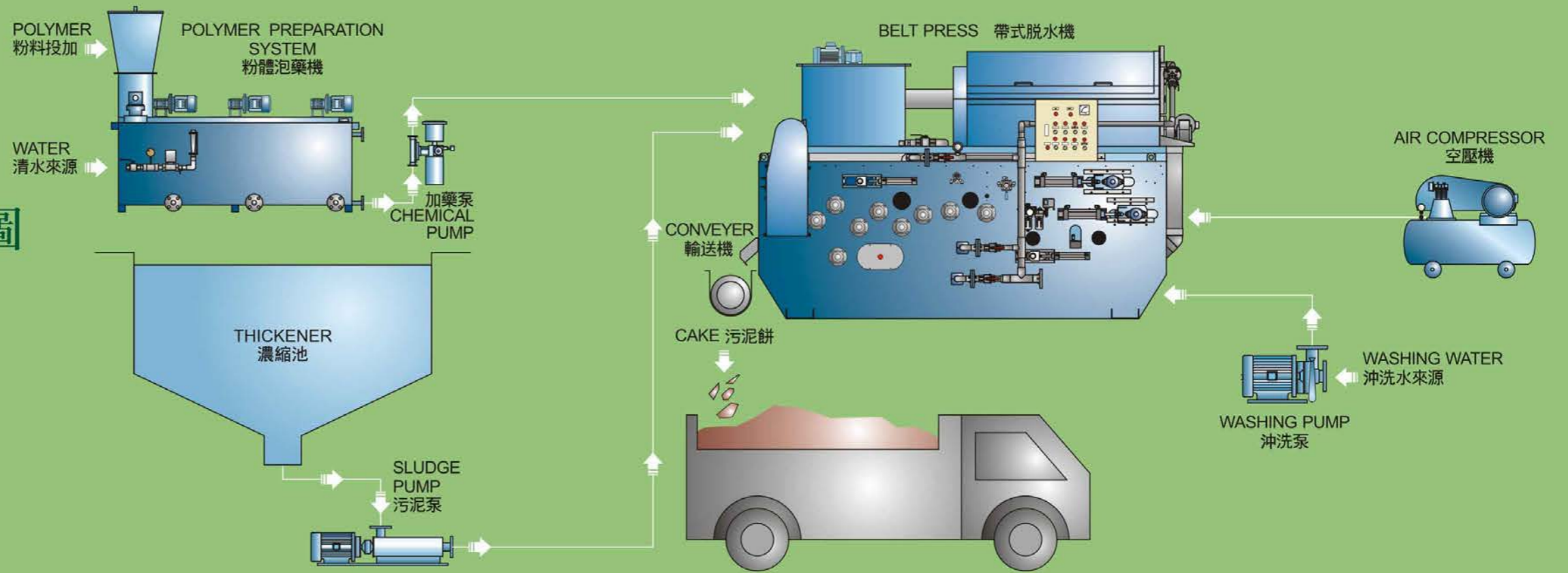
- 1 專業設計能力，配合不同現場環境選擇適合的結構材質。
- 2 全自動連續運作簡易操作，充分節省人力成本。
- 3 獨特專利旋轉離心濃縮裝置，快速過濾凝集污泥，大幅提升處理效果。
- 4 採用歐洲高韌性濾帶，透水性強、使用壽命長。
- 5 上下濾帶傳動使用相同扭力，有效降低含水率並提升濾帶使用壽命。
- 6 濾帶張緊採用同步的齒條及齒輪，確保濾帶張緊及校正的平順。
- 7 多重安全設計，低運行損耗，確保操作安全。
- 8 無噪音、低頻無感震動運作，高穩定性。
- 9 標準化零件更換及簡易的耗材更換設計，達到最少維護保養成本。
- 10 應用範圍廣泛；適用各種行業各項污泥。

## FEATURES

- 1 Professional design to accommodate various type of environment.
- 2 Fully automatic for effortless continuous operation.
- 3 Proprietary rotary thickening system, help increase sludge processing and conditioning performance.
- 4 European high tensile belts - Facilitate high permeability and longevity.
- 5 Applies uniform drive torque to both belts to provide higher cake solids and improved belt life.
- 6 Rack and pinion tension equalization assures even belt tension and accurate tracking.
- 7 Various safety features prevent operational hazard and increase production efficiency.
- 8 Low noise - Low vibration - Durable and stable performance.
- 9 Simplify consume parts replacement to reduce maintenance cost.
- 10 Broadly applicable in various sludge type.



# FLOW SHEET 系統處理流程圖



脱水前 Liquid Sludge



加藥後 Flocculate



濃縮後 Sludge Thickening

## 各產業污泥處理



電鍍類污泥餅 Plating Sludge Cake



皮革類污泥餅 Leather Sludge Cake



金屬加工類污泥餅 Metal Sludge Cake



城市污泥餅 City Mixed Sludge Cake



造紙性質污泥餅 Paper Mill Sludge Cake



印染性質污泥餅 Dyeing Sludge Cake



## 污泥處理實例參考數據表

### DEHYDRATION PERFORMANCE DATA LIST

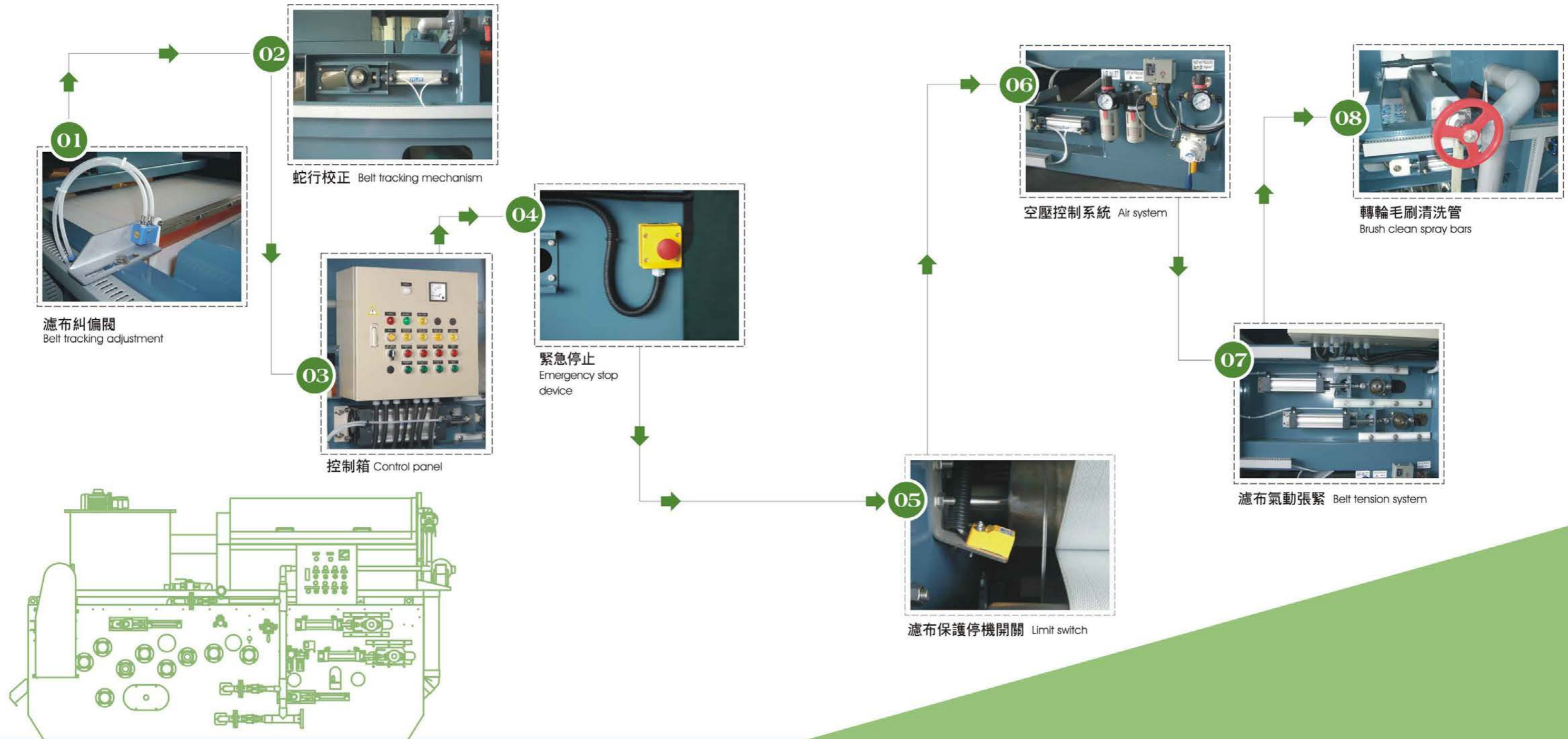
| 產業污泥種類<br>Type of sludge               | 污泥濃度<br>Solid content of sludge (%) | 泥餅含水率<br>Water content of cakes (%) | 絮凝劑添加率<br>Polymer for DS % (對DS%) |
|--|-------------------------------------|-------------------------------------|-----------------------------------|
| 城市剩餘污泥<br>City Excess Activated Sludge | 0.4 ~ 1.5                           | 78 ~ 84                             | 0.5 ~ 1.0                         |
| 城市混合污泥<br>City Mixed Raw Sludge        | 1.5 ~ 3.0                           | 77 ~ 82                             | 0.3 ~ 0.8                         |
| 造紙類<br>Paper & Pulp Sludge             | 2.0 ~ 4.5                           | 66 ~ 80                             | 0.2 ~ 0.5                         |
| 印染類<br>Dyeing Sludge                   | 1.5 ~ 2.5                           | 80 ~ 84                             | 0.3 ~ 0.6                         |
| 皮革類<br>Leather Sludge                  | 2.5 ~ 4.5                           | 78 ~ 82                             | 0.4 ~ 0.8                         |
| 電鍍類<br>Plating Sludge                  | 1.5 ~ 2.5                           | 72 ~ 80                             | 0.2 ~ 0.6                         |
| 金屬加工類<br>Metal Sludge                  | 2.5 ~ 3.5                           | 72 ~ 80                             | 0.3 ~ 0.7                         |
| 石材礦業類<br>Stone & Mining Sludge         | 6.0 ~ 18                            | 43 ~ 65                             | 0.2 ~ 0.4                         |
| 淨水廠類<br>Water Purifying Sludge         | 1.5 ~ 4.5                           | 75 ~ 80                             | 0.3 ~ 0.6                         |
| 食品製造類<br>Food & Beverage Sludge        | 1.0 ~ 1.5                           | 78 ~ 84                             | 0.6 ~ 1.1                         |
| 畜牧養殖類<br>Livestock Sludge              | 2.5 ~ 5.5                           | 78 ~ 83                             | 0.4 ~ 0.8                         |
| 屠宰類<br>Butchery Sludge                 | 1.0 ~ 3.5                           | 78 ~ 85                             | 0.5 ~ 1.0                         |

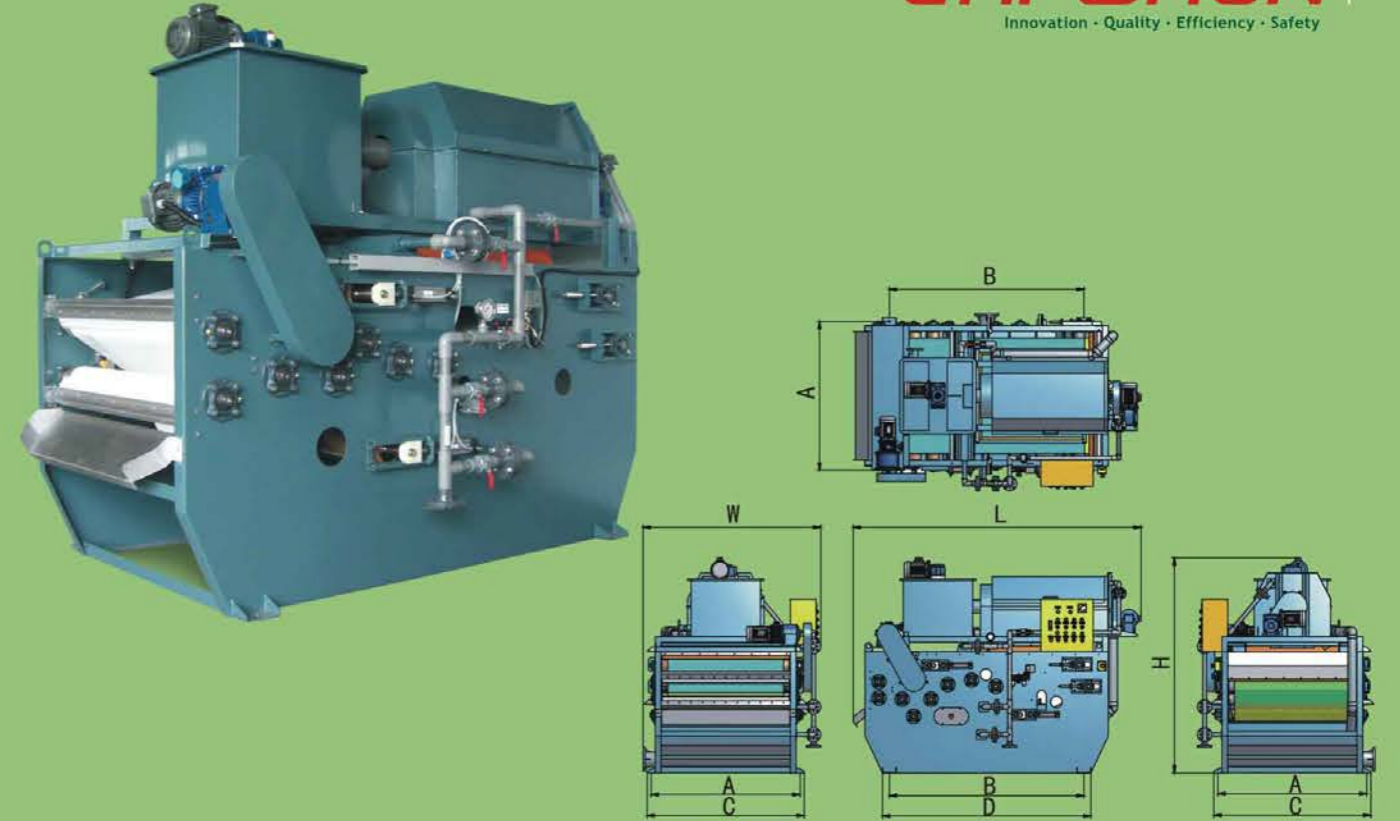
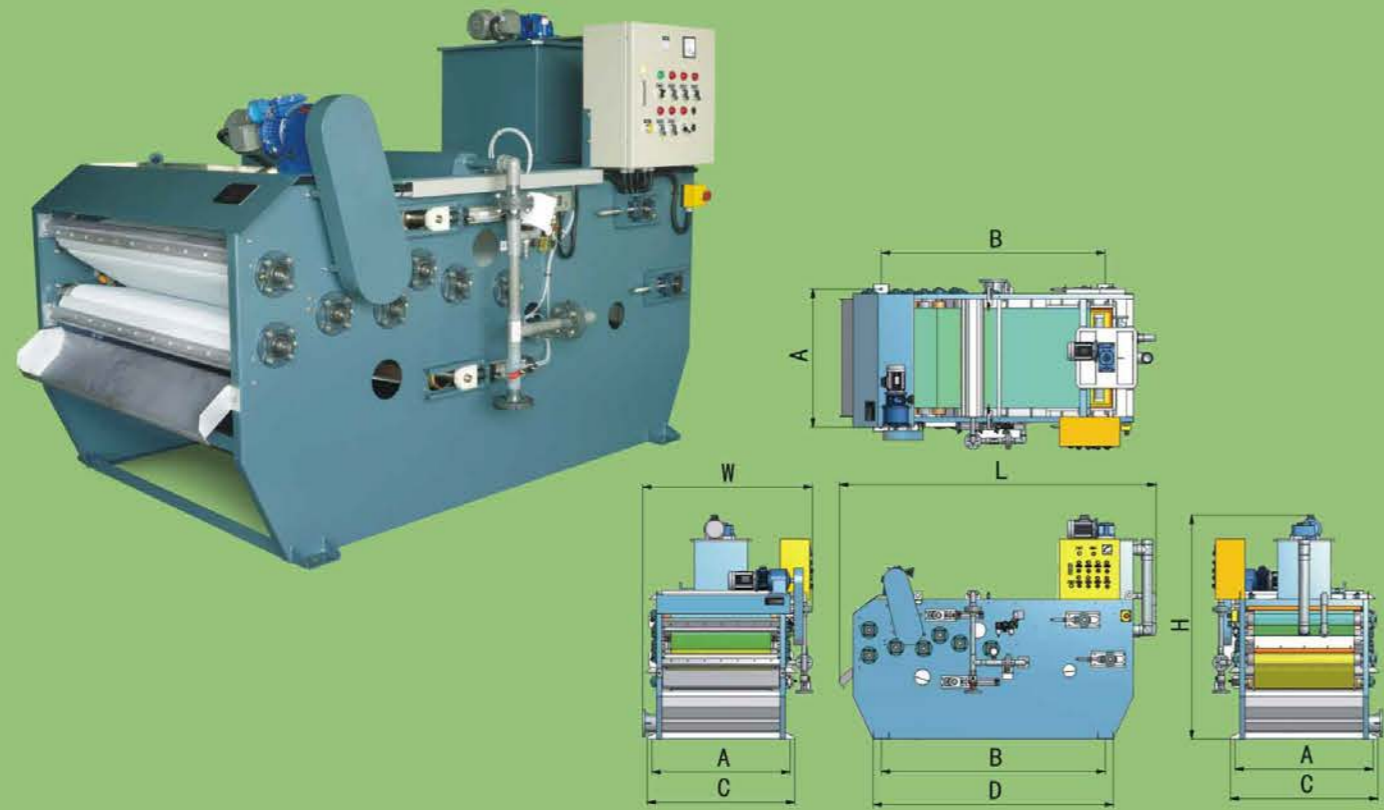


# 關鍵零部件 Key Components

Innovation · Quality · Efficiency · Safety

# CHI-SHUN





### NBD-E型 (入口濃度要求 > 1.5%)

| 型號<br>Model | 污泥處理量參照表 Capacity Parameter (M <sup>3</sup> /hr) |   |   |   |   |   |   |   |   |    |    |    |    | 乾物處理量參照表 Dry Sludge Parameter (kg DS/hr) |    |    |    |    |    |    |    |    |    |    |     |     |     |     |  |
|-------------|--|---|---|---|---|---|---|---|---|----|----|----|----|--|----|----|----|----|----|----|----|----|----|----|-----|-----|-----|-----|--|
|             | 1  | 2 | 3 | 4 | 5 | 6 | 7 | 8 | 9 | 10 | 11 | 12 | 13 | 20                                       | 25 | 30 | 35 | 40 | 45 | 50 | 60 | 70 | 80 | 90 | 100 | 110 | 120 | 130 |  |
| NBD-E50     | █  |   |   |   |   |   |   |   |   |    |    |    |    |  |    |    | █  |    |    |    |    |    |    |    |     |     |     |     |  |
| NBD-E75     | █  |   |   |   |   |   |   |   |   |    |    |    |    |  |    |    | █  |    |    |    |    |    |    |    |     |     |     |     |  |
| NBD-E100    | █  |   |   |   |   |   |   |   |   |    |    |    |    |  |    |    | █  |    |    |    |    |    |    |    |     |     |     |     |  |
| NBD-E125    | █  |   |   |   |   |   |   |   |   |    |    |    |    |  |    |    | █  |    |    |    |    |    |    |    |     |     |     |     |  |

### NBD-M型 (入口濃度要求 > 1%)

| 型號<br>Model | 污泥處理量參照表 Capacity Parameter (M <sup>3</sup> /hr) |   |   |   |   |   |   |   |   |    |    |    |    | 乾物處理量參照表 Dry Sludge Parameter (kg DS/hr) |    |    |    |    |    |    |    |    |    |    |     |     |     |     |  |
|-------------|--|---|---|---|---|---|---|---|---|----|----|----|----|--|----|----|----|----|----|----|----|----|----|----|-----|-----|-----|-----|--|
|             | 1  | 2 | 3 | 4 | 5 | 6 | 7 | 8 | 9 | 10 | 11 | 12 | 13 | 20                                       | 25 | 30 | 35 | 40 | 45 | 50 | 60 | 70 | 80 | 90 | 100 | 110 | 120 | 130 |  |
| NBD-M50     | █  |   |   |   |   |   |   |   |   |    |    |    |    |  |    |    | █  |    |    |    |    |    |    |    |     |     |     |     |  |
| NBD-M75     | █  |   |   |   |   |   |   |   |   |    |    |    |    |  |    |    | █  |    |    |    |    |    |    |    |     |     |     |     |  |
| NBD-M100    | █  |   |   |   |   |   |   |   |   |    |    |    |    |  |    |    | █  |    |    |    |    |    |    |    |     |     |     |     |  |
| NBD-M125    | █  |   |   |   |   |   |   |   |   |    |    |    |    |  |    |    | █  |    |    |    |    |    |    |    |     |     |     |     |  |

### NBD-E 技術規格參數 Technical Data

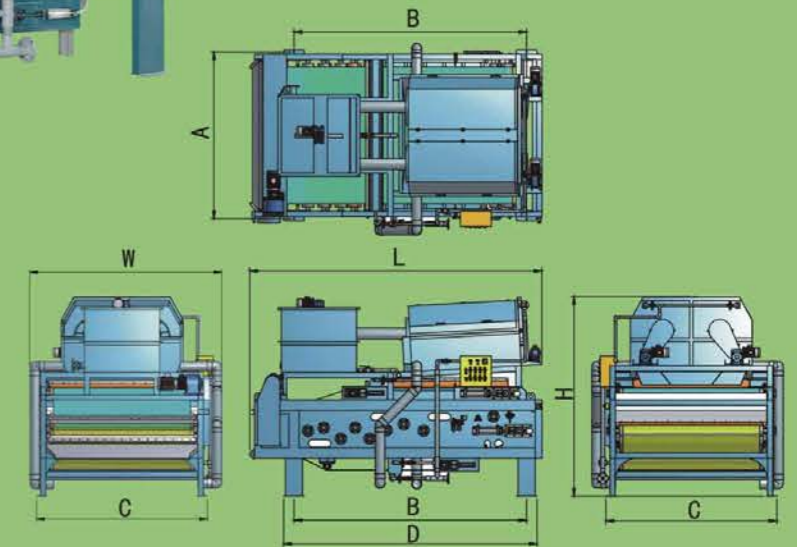
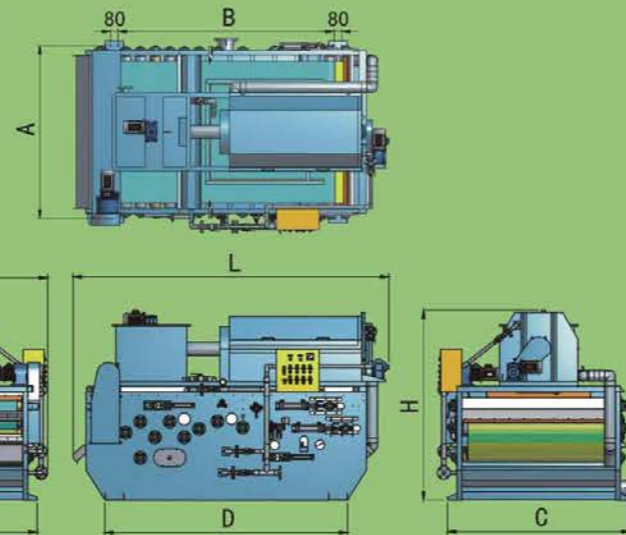
| 機型<br>Model | 帶寬<br>Belt<br>Width<br>(mm) | 污泥處理量<br>Capacity<br>(m <sup>3</sup> /hr) | 乾物處理量<br>Dry Sludge<br>(Kg DS/hr) | 濾帶速度<br>Belt<br>Velocity<br>(M/min) | 使用功率<br>主驅動<br>Drive<br>(HP) | 調理攪拌<br>Conditioning<br>(HP) | 清洗水量<br>Wash Water<br>(m <sup>3</sup> /hr) | 外形尺寸<br>Dimensions<br>(L.W.H)<br>mm | 基座尺寸<br>Basic<br>(A,B)<br>(C,D)<br>mm | 重量<br>Weight<br>(KG) |
|-------------|-----------------------------|---|-----------------------------------|-------------------------------------|------------------------------|------------------------------|--|-------------------------------------|---------------------------------------|----------------------|
| NBD-E50     | 500                         | 0.8 ~ 2.3                                 | 15 ~ 45                           | 2~8                                 | 1/2                          | 1/4                          | 1.9  | 2373                                | 786×1680                              | 660                  |
|             |                             |   |                                   |                                     |                              |                              |  | 1029                                | 856×1800                              |                      |
|             |                             |   |                                   |                                     |                              |                              |  | 1681                                |                                       |                      |
| NBD-E75     | 750                         | 1.8 ~ 3.7                                 | 37 ~ 75                           | 2~8                                 | 1/2                          | 1/4                          | 2.9  | 2373                                | 1036×1680                             | 740                  |
|             |                             |   |                                   |                                     |                              |                              |  | 1274                                | 1106×1800                             |                      |
|             |                             |   |                                   |                                     |                              |                              |  | 1681                                |                                       |                      |
| NBD-E100    | 1000                        | 2.6 ~ 5.3                                 | 52 ~ 105                          | 2~8                                 | 1/2                          | 1/4                          | 3.8  | 2373                                | 1286×1680                             | 820                  |
|             |                             |   |                                   |                                     |                              |                              |  | 1524                                | 1356×1800                             |                      |
|             |                             |   |                                   |                                     |                              |                              |  | 1681                                |                                       |                      |
| NBD-E125    | 1250                        | 3.8 ~ 6.8                                 | 75 ~ 135                          | 2~8                                 | 1/2                          | 1/4                          | 4.8  | 2373                                | 1536×1680                             | 900                  |
|             |                             |   |                                   |                                     |                              |                              |  | 1779                                | 1606×1800                             |                      |
|             |                             |   |                                   |                                     |                              |                              |  | 1681                                |                                       |                      |

以上資料為參考資料，根據不同的污泥性質參數會有所差異  
The chart above is for reference only. Sludge condition and characteristics Produce varied results.

### NBD-M 技術規格參數 Technical Data

| 機型<br>Model | 帶寬<br>Belt<br>Width<br>(mm) | 污泥處理量<br>Capacity<br>(m <sup>3</sup> /hr) | 乾物處理量<br>Dry Sludge<br>(Kg DS/hr) | 濾帶速度<br>Belt<br>Velocity<br>(M/min) | 使用功率<br>主驅動<br>Drive<br>(HP) | 調理攪拌<br>Flocculation<br>Tank<br>(HP) | 濃縮滾筒<br>Rotary Drum<br>Screen<br>(HP) | 清洗水量<br>Wash<br>Water<br>(m <sup>3</sup> /hr) | 外形尺寸<br>Dimensions<br>(L.W.H)<br>mm | 基座尺寸<br>Basic<br>(A,B)<br>(C,D)<br>mm | 重量<br>Weight<br>(KG) |
|-------------|-----------------------------|---|-----------------------------------|-------------------------------------|------------------------------|--------------------------------------|---------------------------------------|---|-------------------------------------|---------------------------------------|----------------------|
| NBD-M50     | 500                         | 1 ~ 3                                     | 15 ~ 45                           | 2 ~ 8                               | 1/2                          | 1/4                                  | 1/4                                   | 3.8   | 2439                                | 786×1680                              | 860                  |
|             |                             |   |                                   |                                     |                              |                                      |                                       |   | 1047                                | 856×1800                              |                      |
|             |                             |   |                                   |                                     |                              |                                      |                                       |   | 1881                                |                                       |                      |
| NBD-M75     | 750                         | 2.5 ~ 5                                   | 37 ~ 75                           | 2 ~ 8                               | 1/2                          | 1/4                                  | 1/4                                   | 5.3   | 2439                                | 1036×1680                             | 940                  |
|             |                             |   |                                   |                                     |                              |                                      |                                       |   | 1284                                | 1106×1800                             |                      |
|             |                             |   |                                   |                                     |                              |                                      |                                       |   | 1881                                |                                       |                      |
| NBD-M100    | 1000                        | 3.5 ~ 7                                   | 52 ~ 105                          | 2 ~ 8                               | 1/2                          | 1/4                                  | 1/4                                   | 7.2   | 2486                                | 1286×1680                             | 1020                 |
|             |                             |   |                                   |                                     |                              |                                      |                                       |   | 1534                                | 1356×1800                             |                      |
|             |                             |   |                                   |                                     |                              |                                      |                                       |   | 1861                                |                                       |                      |
| NBD-M125    | 1250                        | 5 ~ 9                                     | 75 ~ 135                          | 2 ~ 8                               | 1/2                          | 1/4                                  | 1/4                                   | 8.7   | 2486                                | 1536×1680                             | 1100                 |
|             |                             |   |                                   |                                     |                              |                                      |                                       |   | 1784                                | 1606×1800                             |                      |
|             |                             |   |                                   |                                     |                              |                                      |                                       |   | 1861                                |                                       |                      |

以上資料為參考資料，根據不同的污泥性質參數會有所差異  
The chart above is for reference only. Sludge condition and characteristics Produce varied results.



**NBD-L型 (入口濃度要求 > 1%)**

| 型號<br>Model | 污泥處理量參照表 Capacity Parameter (M <sup>3</sup> /hr) |    |    |    |    |    |    |    |    |    | 乾物處理量參照表 Dry Sludge Parameter (kg DS/hr)       |    |    |    |    |     |     |     |     |     |     |     |     |     |     |     |     |
|-------------|--|----|----|----|----|----|----|----|----|----|--|----|----|----|----|-----|-----|-----|-----|-----|-----|-----|-----|-----|-----|-----|-----|
|             | 8  | 10 | 12 | 14 | 16 | 18 | 20 | 24 | 28 | 32 | 36   | 40 | 50 | 80 | 90 | 100 | 120 | 140 | 160 | 180 | 200 | 240 | 280 | 320 | 360 | 400 | 440 |
| NBD-L125    | [Bar chart showing capacity range]               |    |    |    |    |    |    |    |    |    | [Bar chart showing dry sludge parameter range] |    |    |    |    |     |     |     |     |     |     |     |     |     |     |     |     |
| NBD-L150    | [Bar chart showing capacity range]               |    |    |    |    |    |    |    |    |    | [Bar chart showing dry sludge parameter range] |    |    |    |    |     |     |     |     |     |     |     |     |     |     |     |     |
| NBD-L175    | [Bar chart showing capacity range]               |    |    |    |    |    |    |    |    |    | [Bar chart showing dry sludge parameter range] |    |    |    |    |     |     |     |     |     |     |     |     |     |     |     |     |
| NBD-L200    | [Bar chart showing capacity range]               |    |    |    |    |    |    |    |    |    | [Bar chart showing dry sludge parameter range] |    |    |    |    |     |     |     |     |     |     |     |     |     |     |     |     |

**NBD-L 技術規格參數 Technical Data**

| 機型<br>Model | 帶寬<br>Belt<br>Width<br>(mm) | 污泥處理量<br>Capacity<br>(m <sup>3</sup> /hr) | 乾物處理量<br>Dry Sludge<br>(Kg DS/hr) | 濾帶速度<br>Belt<br>Velocity<br>(M/min) | 使用功率 Use Power       |                                      |                                       | 清洗水量<br>Wash<br>Water<br>(m <sup>3</sup> /hr) | 外形尺寸<br>Dimensions<br>(L.W.H)<br>mm | 基座尺寸<br>Basic<br>(A.B)<br>(C.D)<br>mm | 重量<br>Weight<br>(KG) |
|-------------|-----------------------------|---|-----------------------------------|-------------------------------------|----------------------|--------------------------------------|---------------------------------------|---|-------------------------------------|---------------------------------------|----------------------|
|             |                             |   |                                   |                                     | 主驅動<br>Drive<br>(HP) | 調理攪拌<br>Flocculation<br>Tank<br>(HP) | 濃縮滾筒<br>Rotary Drum<br>Screen<br>(HP) |   |                                     |                                       |                      |
| NBD-L125    | 1250                        | 6.6 ~ 12                                  | 100 ~ 180                         | 2 ~ 8                               | 1/2                  | 1/4                                  | 1/4                                   | 9.2   | 3339                                | 1578×2286                             | 1450                 |
|             |                             |   |                                   |                                     |                      |                                      |                                       |   | 1818                                | 1678×2566                             |                      |
|             |                             |   |                                   |                                     |                      |                                      |                                       |   | 2012                                |                                       |                      |
| NBD-L150    | 1500                        | 9.3 ~ 16                                  | 140 ~ 240                         | 2 ~ 8                               | 1/2                  | 1/4                                  | 1/4                                   | 10.6  | 3339                                | 1828×2286                             | 1620                 |
|             |                             |   |                                   |                                     |                      |                                      |                                       |   | 2068                                | 1928×2566                             |                      |
|             |                             |   |                                   |                                     |                      |                                      |                                       |   | 2012                                |                                       |                      |
| NBD-L175    | 1750                        | 12 ~ 21                                   | 180 ~ 320                         | 2 ~ 8                               | 1                    | 1/2                                  | 1/4                                   | 12.6  | 3386                                | 2098×2286                             | 1810                 |
|             |                             |   |                                   |                                     |                      |                                      |                                       |   | 2316                                | 2178×2566                             |                      |
|             |                             |   |                                   |                                     |                      |                                      |                                       |   | 2117                                |                                       |                      |
| NBD-L200    | 2000                        | 16 ~ 29                                   | 240 ~ 440                         | 2 ~ 8                               | 1                    | 1/2                                  | 1/4                                   | 14.0  | 3386                                | 2348×2286                             | 1980                 |
|             |                             |   |                                   |                                     |                      |                                      |                                       |   | 2576                                | 2468×2566                             |                      |
|             |                             |   |                                   |                                     |                      |                                      |                                       |   | 2317                                |                                       |                      |

以上資料為參考資料，根據不同的污泥性質參數會有所差異  
The chart above is for reference only. Sludge condition and characteristics Produce varied results.

**NBD-H型 (入口濃度要求 > 1%)**

| 型號<br>Model | 污泥處理量參照表 Capacity Parameter (M <sup>3</sup> /hr) |    |    |    |    |    |    |    |    |    | 乾物處理量參照表 Dry Sludge Parameter (kg DS/hr)       |     |     |     |     |     |     |     |     |     |     |     |     |     |     |     |      |
|-------------|--|----|----|----|----|----|----|----|----|----|--|-----|-----|-----|-----|-----|-----|-----|-----|-----|-----|-----|-----|-----|-----|-----|------|
|             | 25   | 30 | 35 | 40 | 45 | 50 | 55 | 60 | 70 | 80 | 90   | 100 | 110 | 250 | 300 | 350 | 400 | 450 | 500 | 550 | 600 | 650 | 700 | 750 | 800 | 900 | 1000 |
| NBD-H200    | [Bar chart showing capacity range]               |    |    |    |    |    |    |    |    |    | [Bar chart showing dry sludge parameter range] |     |     |     |     |     |     |     |     |     |     |     |     |     |     |     |      |
| NBD-H250    | [Bar chart showing capacity range]               |    |    |    |    |    |    |    |    |    | [Bar chart showing dry sludge parameter range] |     |     |     |     |     |     |     |     |     |     |     |     |     |     |     |      |
| NBD-H300    | [Bar chart showing capacity range]               |    |    |    |    |    |    |    |    |    | [Bar chart showing dry sludge parameter range] |     |     |     |     |     |     |     |     |     |     |     |     |     |     |     |      |

**NBD-H 技術規格參數 Technical Data**

| 機型<br>Model | 帶寬<br>Belt<br>Width<br>(mm) | 污泥處理量<br>Capacity<br>(m <sup>3</sup> /hr) | 乾物處理量<br>Dry Sludge<br>(Kg DS/hr) | 濾帶速度<br>Belt<br>Velocity<br>(M/min) | 使用功率 Use Power       |                                      |                                       | 清洗水量<br>Wash<br>Water<br>(m <sup>3</sup> /hr) | 外形尺寸<br>Dimensions<br>(L.W.H)<br>mm | 基座尺寸<br>Basic<br>(A.B)<br>(C.D)<br>mm | 重量<br>Weight<br>(KG) |
|-------------|-----------------------------|---|-----------------------------------|-------------------------------------|----------------------|--------------------------------------|---------------------------------------|---|-------------------------------------|---------------------------------------|----------------------|
|             |                             |   |                                   |                                     | 主驅動<br>Drive<br>(HP) | 調理攪拌<br>Flocculation<br>Tank<br>(HP) | 濃縮滾筒<br>Rotary Drum<br>Screen<br>(HP) | 6 Bar   |                                     |                                       |                      |
| NBD-H200    | 2000                        | 24 ~ 40                                   | 360 ~ 600                         | 2 ~ 8                               | 2                    | 1/2                                  | 1/2 × 2                               | 16.4  | 4269                                | 2439×3400                             | 3300                 |
|             |                             |   |                                   |                                     |                      |                                      |                                       |   | 2805                                | 2499×3700                             |                      |
|             |                             |   |                                   |                                     |                      |                                      |                                       |   | 2917                                |                                       |                      |
| NBD-H250    | 2500                        | 36 ~ 53                                   | 550 ~ 800                         | 2 ~ 8                               | 2                    | 1/2                                  | 1/2 × 2                               | 20.3  | 4346                                | 2939×3400                             | 3950                 |
|             |                             |   |                                   |                                     |                      |                                      |                                       |   | 3300                                | 2999×3700                             |                      |
|             |                             |   |                                   |                                     |                      |                                      |                                       |   | 3153                                |                                       |                      |
| NBD-H300    | 3000                        | 46 ~ 73                                   | 690 ~ 1100                        | 2 ~ 8                               | 3                    | 1                                    | 1/2 × 2                               | 24.2  | 4620                                | 3472×3400                             | 4600                 |
|             |                             |   |                                   |                                     |                      |                                      |                                       |   | 3850                                | 3532×3700                             |                      |
|             |                             |   |                                   |                                     |                      |                                      |                                       |   | 3173                                |                                       |                      |

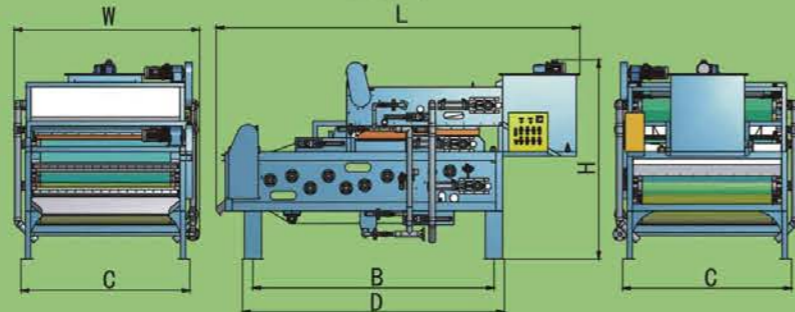
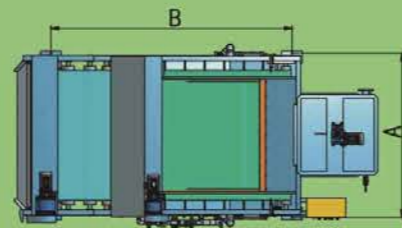
以上資料為參考資料，根據不同的污泥性質參數會有所差異  
The chart above is for reference only. Sludge condition and characteristics Produce varied results.



# NBD B 產品介紹 Product Introduce



B100~175



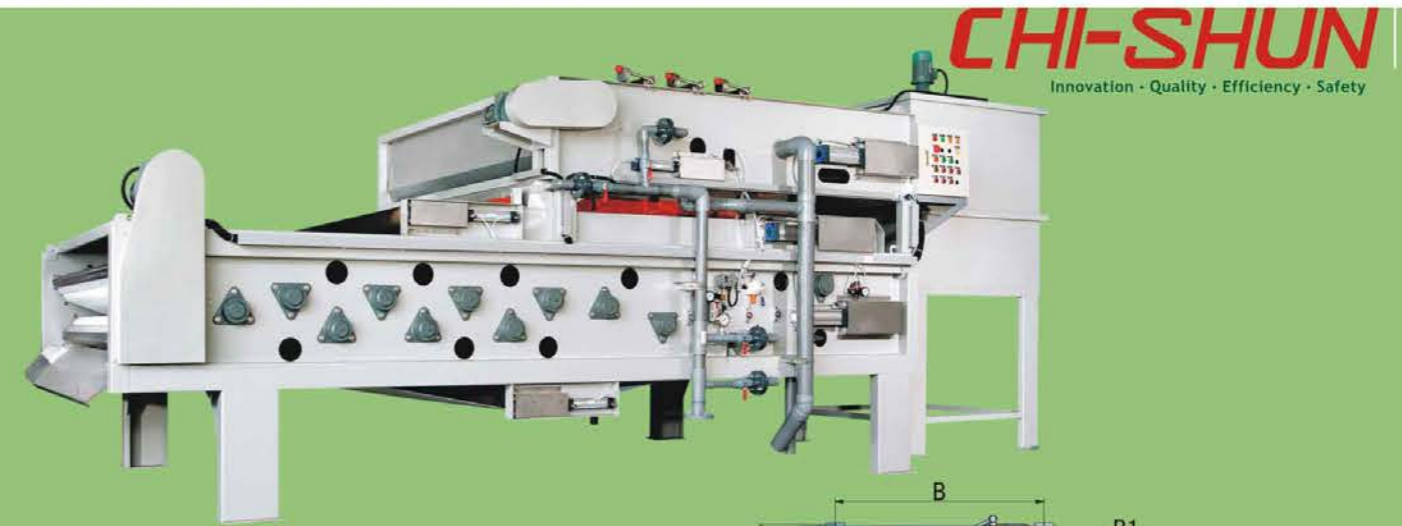
## NBD-B型 (入口濃度要求 > 0.4%)

| 型號<br>Model | 污泥處理量參照表 Capacity Parameter (M <sup>3</sup> /hr) |    |    |    |    |    |    |    |    |    |    |    |    |    |    |     | 乾物處理量參照表 Dry Sludge Parameter (kg DS/hr) |     |     |     |     |     |     |     |     |     |     |     |  |  |  |  |
|-------------|--|----|----|----|----|----|----|----|----|----|----|----|----|----|----|-----|--|-----|-----|-----|-----|-----|-----|-----|-----|-----|-----|-----|--|--|--|--|
|             | 8  | 12 | 16 | 20 | 22 | 24 | 26 | 28 | 30 | 32 | 34 | 36 | 38 | 70 | 90 | 100 | 120                                      | 140 | 160 | 180 | 200 | 240 | 280 | 320 | 360 | 400 | 440 | 480 |  |  |  |  |
| NBD- B100   | [Bar chart showing capacity range]               |    |    |    |    |    |    |    |    |    |    |    |    |    |    |     | [Bar chart showing dry sludge range]     |     |     |     |     |     |     |     |     |     |     |     |  |  |  |  |
| NBD- B125   | [Bar chart showing capacity range]               |    |    |    |    |    |    |    |    |    |    |    |    |    |    |     | [Bar chart showing dry sludge range]     |     |     |     |     |     |     |     |     |     |     |     |  |  |  |  |
| NBD- B150   | [Bar chart showing capacity range]               |    |    |    |    |    |    |    |    |    |    |    |    |    |    |     | [Bar chart showing dry sludge range]     |     |     |     |     |     |     |     |     |     |     |     |  |  |  |  |
| NBD- B175   | [Bar chart showing capacity range]               |    |    |    |    |    |    |    |    |    |    |    |    |    |    |     | [Bar chart showing dry sludge range]     |     |     |     |     |     |     |     |     |     |     |     |  |  |  |  |

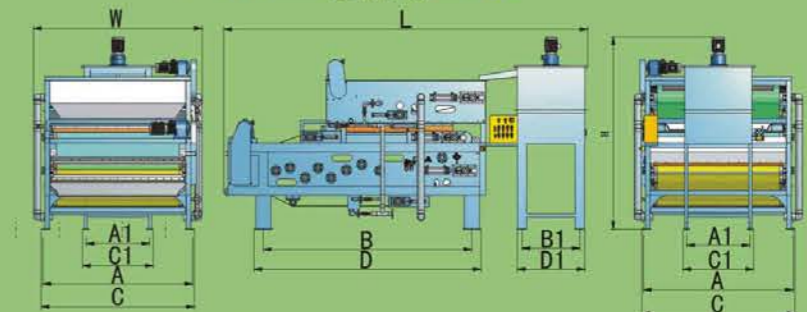
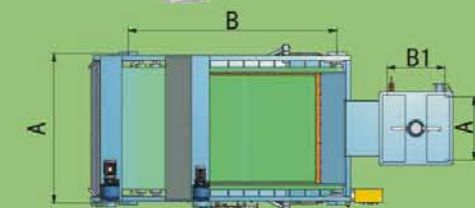
## NBD-B100~B175 技術規格參數 Technical Data

| 機型<br>Model  | 帶寬<br>Belt<br>Width<br>(mm) | 污泥處理量<br>Capacity<br>(m <sup>3</sup> /hr) | 乾物處理量<br>Dry Sludge<br>(Kg DS/hr) | 濾帶速度<br>Belt<br>Velocity<br>(M/min) | 使用功率 Use Power       |                                      |                                     | 清洗水量<br>Wash<br>Water<br>(m <sup>3</sup> /hr) | 外形尺寸<br>Dimensions<br>(L.W.H)<br>mm | 底座尺寸<br>Basic<br>(A.B)<br>(C.D)<br>mm | 重量<br>Weight<br>(KG) |
|--------------|-----------------------------|---|-----------------------------------|-------------------------------------|----------------------|--------------------------------------|-------------------------------------|---|-------------------------------------|---------------------------------------|----------------------|
|              |                             |   |                                   |                                     | 主驅動<br>Drive<br>(HP) | 調理攪拌<br>Flocculation<br>Tank<br>(HP) | 重力濃縮<br>Gravity<br>Drainage<br>(HP) |   |                                     |                                       |                      |
| NBD-<br>B100 | 1000                        | 7 ~ 17                                    | 70 ~ 170                          | 2 ~ 8                               | 1/2                  | 1/4                                  | 1/2                                 | 7.7   | 4043                                | 1398×2780                             | 1830                 |
|              |                             |   |                                   |                                     |                      |                                      |                                     |   | 1650                                | 1448×3020                             |                      |
|              |                             |   |                                   |                                     |                      |                                      |                                     |   | 2297                                |                                       |                      |
| NBD-<br>B125 | 1250                        | 14 ~ 24                                   | 140 ~ 240                         | 2 ~ 8                               | 1/2                  | 1/4                                  | 1/2                                 | 9.6   | 4043                                | 1648×2780                             | 2080                 |
|              |                             |   |                                   |                                     |                      |                                      |                                     |   | 1900                                | 1698×3020                             |                      |
|              |                             |   |                                   |                                     |                      |                                      |                                     |   | 2297                                |                                       |                      |
| NBD-<br>B150 | 1500                        | 20 ~ 28                                   | 200 ~ 280                         | 2 ~ 8                               | 1/2                  | 1/2                                  | 1/2                                 | 11.6  | 4193                                | 1898×2780                             | 2300                 |
|              |                             |   |                                   |                                     |                      |                                      |                                     |   | 2153                                | 1948×3020                             |                      |
|              |                             |   |                                   |                                     |                      |                                      |                                     |   | 2297                                |                                       |                      |
| NBD-<br>B175 | 1750                        | 28 ~ 36                                   | 280 ~ 360                         | 2 ~ 8                               | 1                    | 1/2                                  | 1/2                                 | 13.5  | 4193                                | 2148×2780                             | 2520                 |
|              |                             |   |                                   |                                     |                      |                                      |                                     |   | 2408                                | 2198×3020                             |                      |
|              |                             |   |                                   |                                     |                      |                                      |                                     |   | 2297                                |                                       |                      |

以上資料為參考資料，根據不同的污泥性質參數會有所差異  
The chart above is for reference only. Sludge condition and characteristics Produce varied results.



B200~300



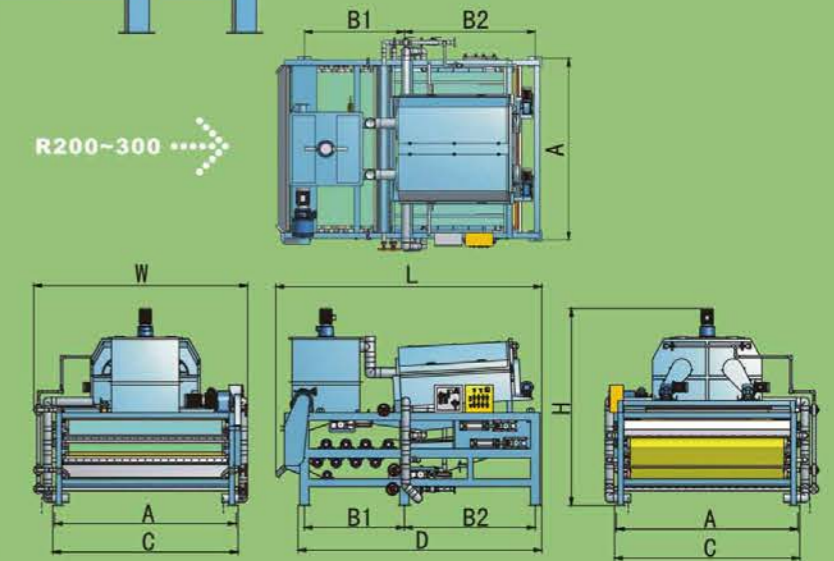
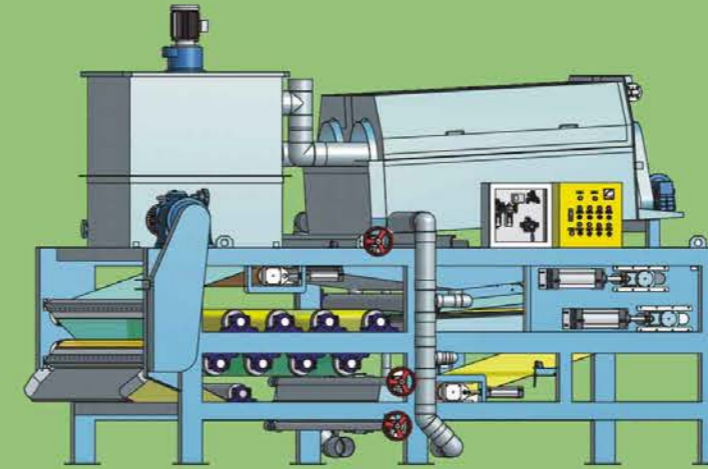
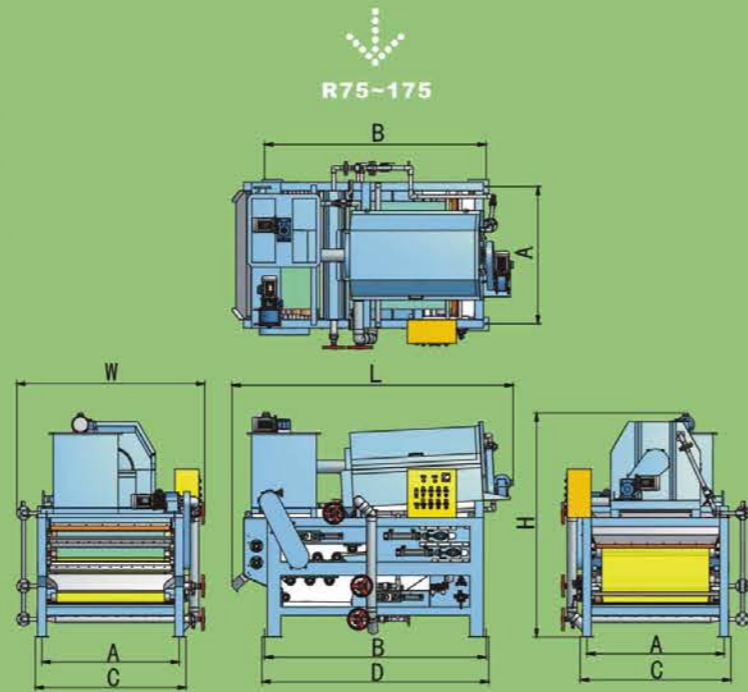
## NBD-B型 (入口濃度要求 > 0.4%)

| 型號<br>Model | 污泥處理量參照表 Capacity Parameter (M <sup>3</sup> /hr) |    |    |    |    |    |    |    |    |    |    | 乾物處理量參照表 Dry Sludge Parameter (kg DS/hr) |     |     |     |     |     |     |     |     |     |     |     |     |     |     |      |
|-------------|--|----|----|----|----|----|----|----|----|----|----|--|-----|-----|-----|-----|-----|-----|-----|-----|-----|-----|-----|-----|-----|-----|------|
|             | 10   | 20 | 25 | 30 | 35 | 40 | 50 | 60 | 70 | 80 | 90 | 100                                      | 110 | 100 | 200 | 250 | 300 | 350 | 400 | 450 | 500 | 550 | 600 | 700 | 800 | 900 | 1000 |
| NBD- B200   | [Bar chart showing capacity range]               |    |    |    |    |    |    |    |    |    |    | [Bar chart showing dry sludge range]     |     |     |     |     |     |     |     |     |     |     |     |     |     |     |      |
| NBD- B250   | [Bar chart showing capacity range]               |    |    |    |    |    |    |    |    |    |    | [Bar chart showing dry sludge range]     |     |     |     |     |     |     |     |     |     |     |     |     |     |     |      |
| NBD- B300   | [Bar chart showing capacity range]               |    |    |    |    |    |    |    |    |    |    | [Bar chart showing dry sludge range]     |     |     |     |     |     |     |     |     |     |     |     |     |     |     |      |

## NBD-B200~B300 技術規格參數 Technical Data

| 機型<br>Model  | 帶寬<br>Belt<br>Width<br>(mm) | 污泥處理量<br>Capacity<br>(m <sup>3</sup> /hr) | 乾物處理量<br>Dry Sludge<br>(Kg DS/hr) | 濾帶速度<br>Belt<br>Velocity<br>(M/min) | 使用功率 Use Power       |                                      |                                     | 清洗水量<br>Wash<br>Water<br>(m <sup>3</sup> /hr) | 外形尺寸<br>Dimensions<br>(L.W.H)<br>mm | 底座尺寸<br>Basic<br>(A.B)<br>(C.D)<br>mm | 底座<br>尺寸<br>Basic<br>(A1.B1)<br>(C1.D1) | 重量<br>Weight<br>(KG) |
|--------------|-----------------------------|---|-----------------------------------|-------------------------------------|----------------------|--------------------------------------|-------------------------------------|---|-------------------------------------|---------------------------------------|---|----------------------|
|              |                             |   |                                   |                                     | 主驅動<br>Drive<br>(HP) | 調理攪拌<br>Flocculation<br>Tank<br>(HP) | 重力濃縮<br>Gravity<br>Drainage<br>(HP) |   |                                     |                                       |   |                      |
| NBD-<br>B200 | 2000                        | 36 ~ 60                                   | 360 ~ 600                         | 2 ~ 8                               | 2                    | 1                                    | 1                                   | 15.5  | 5936                                | 2439×3400                             | 1030x<br>940                            | 3650                 |
|              |                             |   |                                   |                                     |                      |                                      |                                     |   | 2749                                | 2499×3700                             |   |                      |
|              |                             |   |                                   |                                     |                      |                                      |                                     |   | 3135                                |                                       |   |                      |
| NBD-<br>B250 | 2500                        | 55 ~ 80                                   | 550 ~ 800                         | 2 ~ 8                               | 2                    | 1                                    | 1                                   | 19.3  | 5936                                | 2939×3400                             | 1150x<br>1100                           | 4350                 |
|              |                             |   |                                   |                                     |                      |                                      |                                     |   | 3249                                | 2999×3700                             |   |                      |
|              |                             |   |                                   |                                     |                      |                                      |                                     |   | 3135                                |                                       |   |                      |
| NBD-<br>B300 | 3000                        | 69 ~ 110                                  | 690 ~ 1100                        | 2 ~ 8                               | 3                    | 1                                    | 1                                   | 23.2  | 5936                                | 3459×3400                             | 3519×3700                               | 5100                 |
|              |                             |   |                                   |                                     |                      |                                      |                                     |   | 3769                                |                                       |   |                      |
|              |                             |   |                                   |                                     |                      |                                      |                                     |   | 3135                                |                                       |   |                      |

以上資料為參考資料，根據不同的污泥性質參數會有所差異  
The chart above is for reference only. Sludge condition and characteristics Produce varied results.



**NBD-R型 (人口濃度要求 > 1%)**

| 型號 Model  | 污泥處理量參照表 Capacity Parameter (M <sup>3</sup> /hr) |   |   |   |   |    |    |    | 乾物處理量參照表 Dry Sludge Parameter (kg DS/hr) |    |    |    |    |    |    |    |    |     |     |     |     |     |     |     |     |     |     |     |
|-----------|--|---|---|---|---|----|----|----|--|----|----|----|----|----|----|----|----|-----|-----|-----|-----|-----|-----|-----|-----|-----|-----|-----|
|           | 1  | 2 | 4 | 6 | 8 | 10 | 12 | 14 | 16                                       | 18 | 20 | 22 | 24 | 40 | 60 | 70 | 90 | 100 | 140 | 160 | 180 | 200 | 240 | 260 | 280 | 300 | 320 | 360 |
| NBD- R75  |  |   |   |   |   |    |    |    |  |    |    |    |    |    |    |    |    |     |     |     |     |     |     |     |     |     |     |     |
| NBD- R100 |  |   |   |   |   |    |    |    |  |    |    |    |    |    |    |    |    |     |     |     |     |     |     |     |     |     |     |     |
| NBD- R125 |  |   |   |   |   |    |    |    |  |    |    |    |    |    |    |    |    |     |     |     |     |     |     |     |     |     |     |     |
| NBD- R150 |  |   |   |   |   |    |    |    |  |    |    |    |    |    |    |    |    |     |     |     |     |     |     |     |     |     |     |     |
| NBD- R175 |  |   |   |   |   |    |    |    |  |    |    |    |    |    |    |    |    |     |     |     |     |     |     |     |     |     |     |     |

**NBD-R型 (人口濃度要求 > 1%)**

| 型號 Model  | 污泥處理量參照表 Capacity Parameter (M <sup>3</sup> /hr) |    |    |    |    |    |    |    |    |    | 乾物處理量參照表 Dry Sludge Parameter (kg DS/hr) |    |    |     |     |     |     |     |     |     |     |     |     |     |     |     |      |      |
|-----------|--|----|----|----|----|----|----|----|----|----|--|----|----|-----|-----|-----|-----|-----|-----|-----|-----|-----|-----|-----|-----|-----|------|------|
|           | 8  | 16 | 24 | 28 | 32 | 40 | 42 | 44 | 46 | 53 | 68                                       | 70 | 73 | 100 | 200 | 250 | 300 | 350 | 400 | 450 | 500 | 550 | 600 | 700 | 800 | 900 | 1000 | 1100 |
| NBD- R200 |  |    |    |    |    |    |    |    |    |    |  |    |    |     |     |     |     |     |     |     |     |     |     |     |     |     |      |      |
| NBD- R250 |  |    |    |    |    |    |    |    |    |    |  |    |    |     |     |     |     |     |     |     |     |     |     |     |     |     |      |      |
| NBD- R300 |  |    |    |    |    |    |    |    |    |    |  |    |    |     |     |     |     |     |     |     |     |     |     |     |     |     |      |      |

**NBD-R75~R175 技術規格參數 Technical Data**

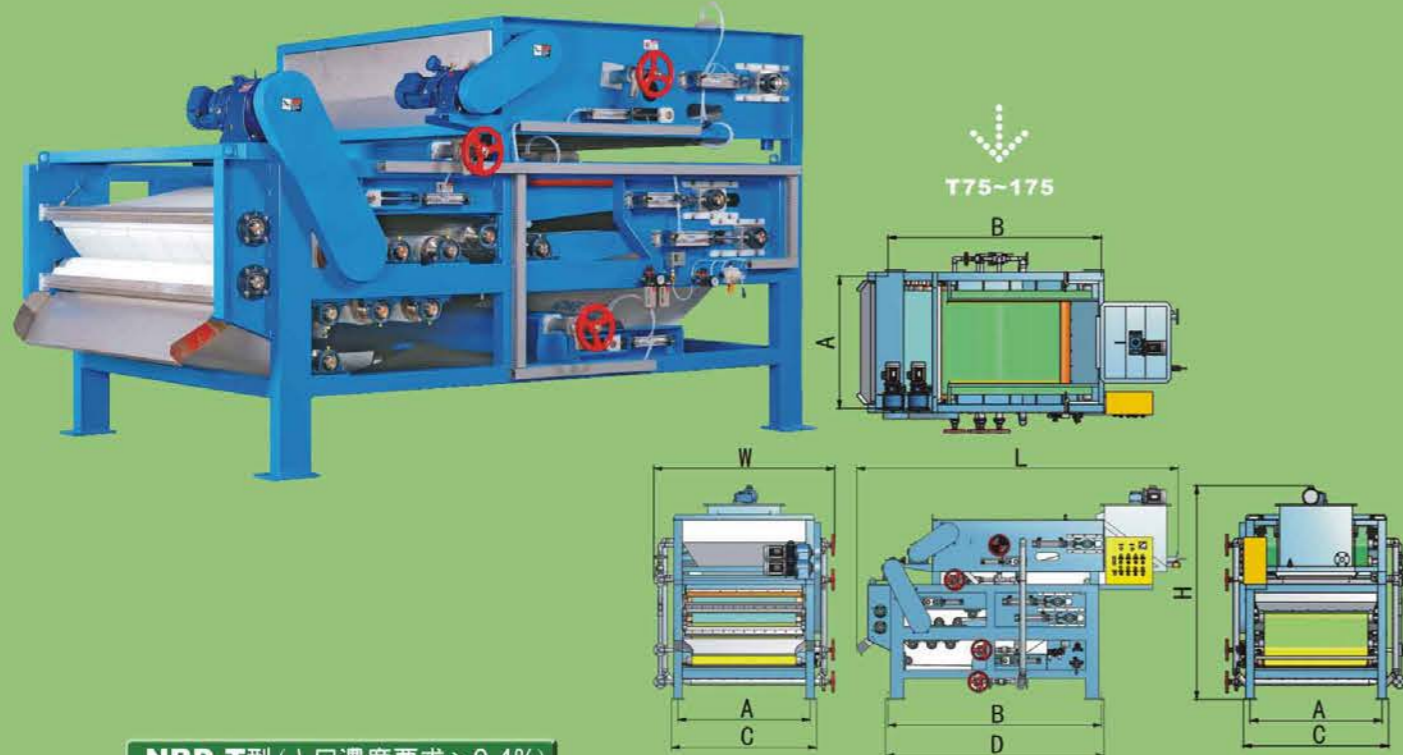
| 機型 Model  | 帶寬 Belt Width (mm) | 污泥處理量 Capacity (m <sup>3</sup> /hr) | 乾物處理量 Dry Sludge (Kg DS/hr) | 濾帶速度 Belt Velocity (M/min) | 主驅動 Drive (HP) | 調理攪拌 Flocculation Tank (HP) | 濃縮滾筒 Rotary Drum Screen (HP) | 清洗水量 Wash Water (m <sup>3</sup> /hr) | 外形尺寸 Dimensions (L.W.H) mm | 基座尺寸 Basic (A.B) (C.D) mm | 重量 Weight (KG) |
|-----------|--------------------|-------------------------------------|-----------------------------|----------------------------|----------------|-----------------------------|------------------------------|--------------------------------------|----------------------------|---------------------------|----------------|
| NBD- R75  | 750                | 2.6 ~ 6                             | 40 ~ 90                     | 2 ~ 8                      | 1/2            | 1/4                         | 1/4                          | 6.0                                  | 2600                       | 1020×2050                 | 990            |
|           |                    |                                     |                             |                            |                |                             |                              |                                      | 1488                       | 1145×2100                 |                |
|           |                    |                                     |                             |                            |                |                             |                              |                                      | 2077                       |                           |                |
| NBD- R100 | 1000               | 6 ~ 9                               | 90 ~ 140                    | 2 ~ 8                      | 1/2            | 1/4                         | 1/4                          | 7.5                                  | 2600                       | 1270×2050                 | 1220           |
|           |                    |                                     |                             |                            |                |                             |                              |                                      | 1738                       | 1395×2100                 |                |
|           |                    |                                     |                             |                            |                |                             |                              |                                      | 2077                       |                           |                |
| NBD- R125 | 1250               | 9 ~ 13                              | 140 ~ 200                   | 2 ~ 8                      | 1/2            | 1/4                         | 1/4                          | 8.9                                  | 2600                       | 1520×2050                 | 1490           |
|           |                    |                                     |                             |                            |                |                             |                              |                                      | 1988                       | 1649×2100                 |                |
|           |                    |                                     |                             |                            |                |                             |                              |                                      | 2077                       |                           |                |
| NBD- R150 | 1500               | 13 ~ 18                             | 200 ~ 280                   | 2 ~ 8                      | 1              | 1/2                         | 1/4                          | 10.9                                 | 3560                       | 1780×2950                 | 2030           |
|           |                    |                                     |                             |                            |                |                             |                              |                                      | 2265                       | 1850×3000                 |                |
|           |                    |                                     |                             |                            |                |                             |                              |                                      | 2177                       |                           |                |
| NBD- R175 | 1750               | 18 ~ 24                             | 280 ~ 360                   | 2 ~ 8                      | 1              | 1/2                         | 1/4                          | 12.3                                 | 3560                       | 2030×2950                 | 2260           |
|           |                    |                                     |                             |                            |                |                             |                              |                                      | 2515                       | 2100×3000                 |                |
|           |                    |                                     |                             |                            |                |                             |                              |                                      | 2377                       |                           |                |

**NBD-R200~R300 技術規格參數 Technical Data**

| 機型 Model  | 帶寬 Belt Width (mm) | 污泥處理量 Capacity (m <sup>3</sup> /hr) | 乾物處理量 Dry Sludge (Kg DS/hr) | 濾帶速度 Belt Velocity (M/min) | 主驅動 Drive (HP) | 調理攪拌 Flocculation Tank (HP) | 濃縮滾筒 Rotary Drum Screen (HP) | 清洗水量 Wash Water (m <sup>3</sup> /hr) | 外形尺寸 Dimensions (L.W.H) mm | 基座尺寸 Basic (A.B) (C.D) mm | 重量 Weight (KG) |
|-----------|--------------------|-------------------------------------|-----------------------------|----------------------------|----------------|-----------------------------|------------------------------|--------------------------------------|----------------------------|---------------------------|----------------|
| NBD- R200 | 2000               | 24 ~ 40                             | 360 ~ 600                   | 2 ~ 8                      | 3              | 1                           | 1/2x2                        | 15.7                                 | 4315                       | 2450×1625x2125            | 3740           |
|           |                    |                                     |                             |                            |                |                             |                              |                                      | 2973                       | 2510×3960                 |                |
|           |                    |                                     |                             |                            |                |                             |                              |                                      | 3198                       |                           |                |
| NBD- R250 | 2500               | 36 ~ 53                             | 550 ~ 800                   | 2 ~ 8                      | 5              | 1                           | 1/2x2                        | 18.9                                 | 4321                       | 2950×1625x2125            | 4510           |
|           |                    |                                     |                             |                            |                |                             |                              |                                      | 3473                       | 3010×3960                 |                |
|           |                    |                                     |                             |                            |                |                             |                              |                                      | 3198                       |                           |                |
| NBD- R300 | 3000               | 46 ~ 73                             | 690 ~ 1100                  | 2 ~ 8                      | 5              | 1                           | 1/2x2                        | 22.3                                 | 4545                       | 3450×1625x2125            | 5280           |
|           |                    |                                     |                             |                            |                |                             |                              |                                      | 3973                       | 3510×3960                 |                |
|           |                    |                                     |                             |                            |                |                             |                              |                                      | 3198                       |                           |                |

以上資料為參考資料，根據不同的污泥性質參數會有所差異  
The chart above is for reference only. Sludge condition and characteristics Produce varied results.

以上資料為參考資料，根據不同的污泥性質參數會有所差異  
The chart above is for reference only. Sludge condition and characteristics Produce varied results.



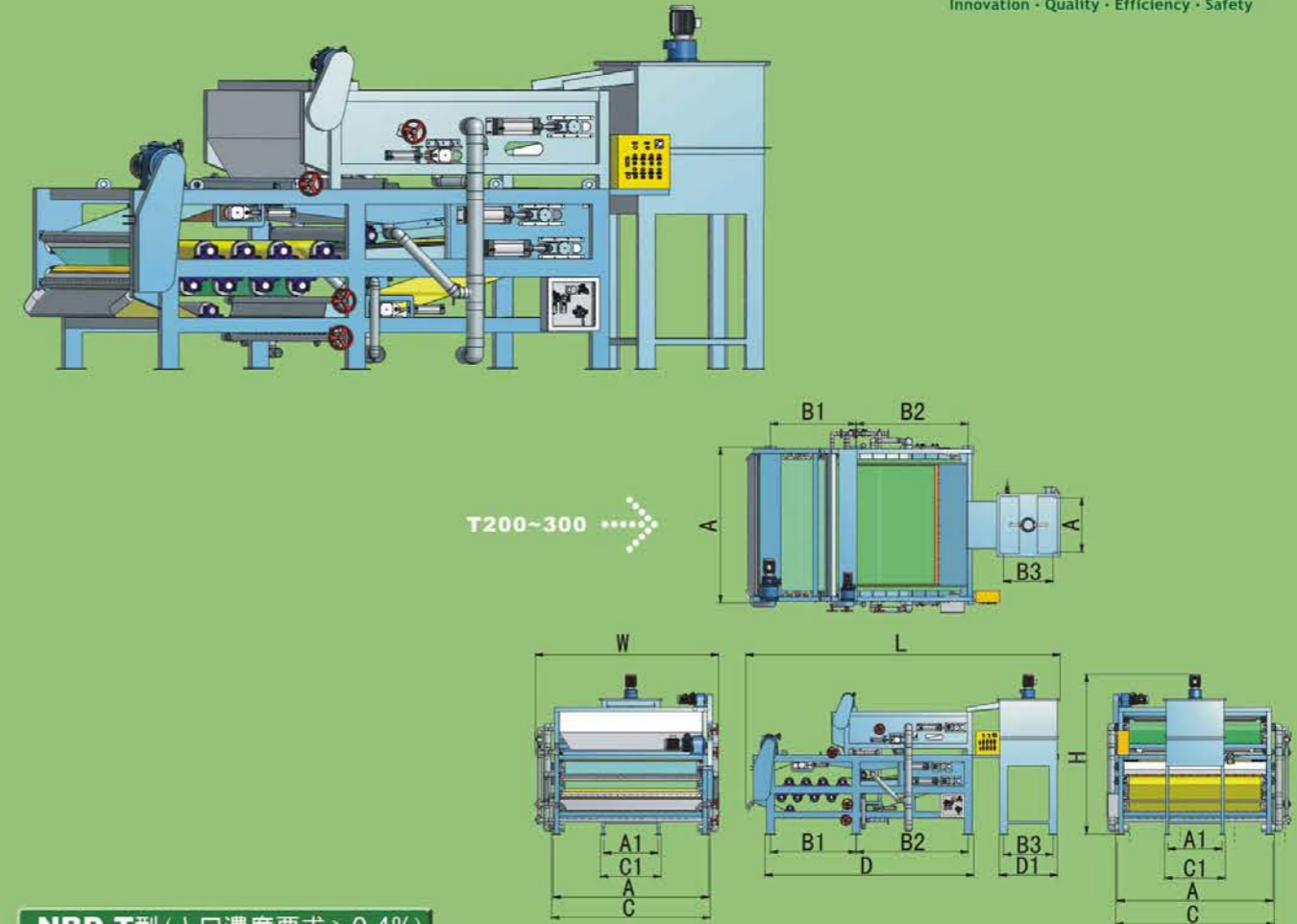
NBD-T型 (入口濃度要求 > 0.4%)

| 型號<br>Model | 污泥處理量參照表 Capacity Parameter (M <sup>3</sup> /hr) |   |   |    |    |    |    |    |    |    |    |    | 乾物處理量參照表 Dry Sludge Parameter (kg DS/hr) |    |    |    |    |     |     |     |     |     |     |     |     |     |     |     |   |  |  |  |   |  |  |  |  |  |  |  |  |  |  |  |  |  |  |
|-------------|--|---|---|----|----|----|----|----|----|----|----|----|--|----|----|----|----|-----|-----|-----|-----|-----|-----|-----|-----|-----|-----|-----|---|--|--|--|---|--|--|--|--|--|--|--|--|--|--|--|--|--|--|
|             | 4  | 6 | 8 | 10 | 14 | 16 | 20 | 24 | 26 | 28 | 32 | 34 | 36                                       | 40 | 60 | 70 | 90 | 100 | 140 | 160 | 180 | 200 | 240 | 260 | 280 | 300 | 320 | 360 |   |  |  |  |   |  |  |  |  |  |  |  |  |  |  |  |  |  |  |
| NBD- T75    | █  |   |   |    |    |    |    |    |    |    |    |    |  |    |    | █  |    |     |     |     |     |     |     |     |     |     |     |     |   |  |  |  |   |  |  |  |  |  |  |  |  |  |  |  |  |  |  |
| NBD- T100   |  |   |   |    |    |    | █  |    |    |    |    |    |  |    |    |    |    |     |     |     |     | █   |     |     |     |     |     |     |   |  |  |  |   |  |  |  |  |  |  |  |  |  |  |  |  |  |  |
| NBD- T125   |  |   |   |    |    |    |    |    |    |    | █  |    |  |    |    |    |    |     |     |     |     |     |     |     | █   |     |     |     |   |  |  |  |   |  |  |  |  |  |  |  |  |  |  |  |  |  |  |
| NBD- T150   |  |   |   |    |    |    |    |    |    |    |    |    |  |    | █  |    |    |     |     |     |     |     |     |     |     |     |     |     | █ |  |  |  |   |  |  |  |  |  |  |  |  |  |  |  |  |  |  |
| NBD- T175   |  |   |   |    |    |    |    |    |    |    |    |    |  |    |    |    |    |     | █   |     |     |     |     |     |     |     |     |     |   |  |  |  | █ |  |  |  |  |  |  |  |  |  |  |  |  |  |  |

NBD- T75~T175 技術規格參數 Technical Data

| 機型<br>Model | 帶寬<br>Belt<br>Width<br>(mm) | 污泥處理量<br>Capacity<br>(m <sup>3</sup> /hr) | 乾物處理量<br>Dry Sludge<br>(Kg DS/hr) | 濾帶速度<br>Belt<br>Velocity<br>(M/min) | 使用功率 Use Power       |                                      |                                     | 清洗水量<br>Wash<br>Water<br>(m <sup>3</sup> /hr) | 外形尺寸<br>Dimensions<br>(L.W.H)<br>mm | 基座尺寸<br>Basic<br>(A.B)<br>(C.D)<br>mm | 重量<br>Weight<br>(KG) |
|-------------|-----------------------------|---|-----------------------------------|-------------------------------------|----------------------|--------------------------------------|-------------------------------------|---|-------------------------------------|---------------------------------------|----------------------|
|             |                             |   |                                   |                                     | 主驅動<br>Drive<br>(HP) | 調理攪拌<br>Flocculation<br>Tank<br>(HP) | 重力濃縮<br>Gravity<br>Drainage<br>(HP) |   |                                     |                                       |                      |
| NBD- T75    | 750                         | 4 ~ 9                                     | 40 ~ 90                           | 2 ~ 8                               | 1/2                  | 1/4                                  | 1/2                                 | 5.8   | 3191                                | 1020×2050                             | 1100                 |
|             |                             |   |                                   |                                     |                      |                                      |                                     |   | 1488                                | 1145×2100                             |                      |
|             |                             |   |                                   |                                     |                      |                                      |                                     |   | 2056                                |                                       |                      |
| NBD- T100   | 1000                        | 9 ~ 14                                    | 90 ~ 140                          | 2 ~ 8                               | 1/2                  | 1/4                                  | 1/2                                 | 7.7   | 3191                                | 1270×2050                             | 1360                 |
|             |                             |   |                                   |                                     |                      |                                      |                                     |   | 1738                                | 1395×2100                             |                      |
|             |                             |   |                                   |                                     |                      |                                      |                                     |   | 2056                                |                                       |                      |
| NBD- T125   | 1250                        | 14 ~ 20                                   | 140 ~ 200                         | 2 ~ 8                               | 1/2                  | 1/4                                  | 1/2                                 | 9.6   | 3191                                | 1520×2050                             | 1650                 |
|             |                             |   |                                   |                                     |                      |                                      |                                     |   | 1988                                | 1649×2100                             |                      |
|             |                             |   |                                   |                                     |                      |                                      |                                     |   | 2056                                |                                       |                      |
| NBD- T150   | 1500                        | 20 ~ 28                                   | 200 ~ 280                         | 2 ~ 8                               | 1                    | 1/2                                  | 1/2                                 | 10.6  | 4255                                | 1780×2950                             | 2570                 |
|             |                             |   |                                   |                                     |                      |                                      |                                     |   | 2265                                | 1850×3000                             |                      |
|             |                             |   |                                   |                                     |                      |                                      |                                     |   | 2287                                |                                       |                      |
| NBD- T175   | 1750                        | 28 ~ 36                                   | 280 ~ 360                         | 2 ~ 8                               | 1                    | 1/2                                  | 1/2                                 | 12.6  | 4255                                | 2030×2950                             | 2870                 |
|             |                             |   |                                   |                                     |                      |                                      |                                     |   | 2515                                | 2100×3000                             |                      |
|             |                             |   |                                   |                                     |                      |                                      |                                     |   | 2287                                |                                       |                      |

以上資料為參考資料，根據不同的污泥性質參數會有所差異  
The chart above is for reference only. Sludge condition and characteristics Produce varied results.



NBD-T型 (入口濃度要求 > 0.4%)

| 型號<br>Model | 污泥處理量參照表 Capacity Parameter (M <sup>3</sup> /hr) |    |    |    |    |    |    |    |    |    | 乾物處理量參照表 Dry Sludge Parameter (kg DS/hr) |    |     |     |     |     |     |     |     |     |     |     |     |     |     |     |     |      |
|-------------|--|----|----|----|----|----|----|----|----|----|--|----|-----|-----|-----|-----|-----|-----|-----|-----|-----|-----|-----|-----|-----|-----|-----|------|
|             | 10   | 20 | 30 | 40 | 50 | 60 | 70 | 75 | 80 | 85 | 90                                       | 95 | 100 | 110 | 100 | 200 | 250 | 300 | 350 | 400 | 450 | 500 | 550 | 600 | 700 | 800 | 900 | 1000 |
| NBD- T200   | █  |    |    |    |    |    |    |    |    |    | █  |    |     |     |     |     |     |     |     |     |     |     |     |     |     |     |     |      |
| NBD- T250   | █  |    |    |    |    |    |    |    |    |    | █  |    |     |     |     |     |     |     |     |     |     |     |     |     |     |     |     |      |
| NBD- T300   | █  |    |    |    |    |    |    |    |    |    | █  |    |     |     |     |     |     |     |     |     |     |     |     |     |     |     |     |      |

NBD- T200~T300 技術規格參數 Technical Data

| 機型<br>Model | 帶寬<br>Belt<br>Width<br>(mm) | 污泥處理量<br>Capacity<br>(m <sup>3</sup> /hr) | 乾物處理量<br>Dry Sludge<br>(Kg DS/hr) | 濾帶速度<br>Belt<br>Velocity<br>(M/min) | 使用功率 Use Power       |                                      |                                     | 清洗水量<br>Wash<br>Water<br>(m <sup>3</sup> /hr) | 外形尺寸<br>Dimensions<br>(L.W.H)<br>mm | 基座尺寸<br>Basic<br>(A.B)<br>(C.D)<br>mm | 基座尺寸<br>Basic<br>尺寸<br>(A1.B3)<br>(C1.D1)<br>mm | 重量<br>Weight<br>(KG) |
|-------------|-----------------------------|---|-----------------------------------|-------------------------------------|----------------------|--------------------------------------|-------------------------------------|---|-------------------------------------|---------------------------------------|---|----------------------|
|             |                             |   |                                   |                                     | 主驅動<br>Drive<br>(HP) | 調理攪拌<br>Flocculation<br>Tank<br>(HP) | 重力濃縮<br>Gravity<br>Drainage<br>(HP) |   |                                     |                                       |   |                      |
| NBD- T200   | 2000                        | 36 ~ 60                                   | 360 ~ 600                         | 2 ~ 8                               | 3                    | 1                                    | 1                                   | 14.5  | 5956                                | 2450×1625×2125                        | 1030x<br>940                                    | 4290                 |
|             |                             |   |                                   |                                     |                      |                                      |                                     |   | 2973                                | 2510×3960                             |   |                      |
|             |                             |   |                                   |                                     |                      |                                      |                                     |   | 3029                                |                                       |   |                      |
| NBD- T250   | 2500                        | 55 ~ 80                                   | 550 ~ 800                         | 2 ~ 8                               | 5                    | 1                                    | 1                                   | 17.4  | 5956                                | 2950×1625×2125                        | 1150x<br>1100                                   | 5170                 |
|             |                             |   |                                   |                                     |                      |                                      |                                     |   | 3473                                | 3010×3960                             |   |                      |
|             |                             |   |                                   |                                     |                      |                                      |                                     |   | 3029                                |                                       |   |                      |
| NBD- T300   | 3000                        | 69 ~ 110                                  | 690 ~ 1100                        | 2 ~ 8                               | 5                    | 1                                    | 1                                   | 21.3  | 5956                                | 3450×1625×2125                        | 6050  | 6050                 |
|             |                             |   |                                   |                                     |                      |                                      |                                     |   | 3973                                | 3510×3960                             |   |                      |
|             |                             |   |                                   |                                     |                      |                                      |                                     |   | 3029                                |                                       |   |                      |

以上資料為參考資料，根據不同的污泥性質參數會有所差異  
The chart above is for reference only. Sludge condition and characteristics Produce varied results.

# 轉鼓式 · 重力式比較

Compara Rotary drum screen with Gravity drainage



比較

轉鼓式濃縮機構

Rotary drum screen thickening components

重力式濃縮機構

Gravity drainage thickening components

**1** 多角型旋轉高效能處理結構設計  
Multi-angle rotary high performance device

**2** 多角及旋轉式攪拌混合  
The drum consists of a strong filter cloth with a suitable mesh size. The drum is rotating at a low speed.

**3** 適用於濃度較高的污水  
Suitable used in high DS sludge

**4** 污泥含固率1% ~ 2%經濃縮後可穩定在5% ~ 8%之間  
After treated occurs 5~8% DS

**5** 適合處理各類工業化學或經濃縮之生物污泥  
Broadly application in industrial sludge

**1** 上掀式三角型驅泥耕犁器結構設計  
Removable "V" plow

**2** 反覆分割式攪拌混合  
The water will pass through the filter cloth, while repetition plow the sludge.

**3** 適用於濃度偏低的污水  
Suitable used in lower DS sludge

**4** 污泥含固率0.4%~0.8%經濃縮後可穩定在5%~8%之間  
After treated occurs 5~8% DS

**5** 適合處理各類城市生物污泥  
Broadly application in city bio sludge



# 各項生產設備介紹 Products

- 1** 板框式污泥脱水機  
Filter presses
- 2** 加壓快速浮除設備  
Dissolved air flotation
- 3** 全自動滾筒式/帶濾式污泥調理·濃縮·脱水·三機一體  
Automatic belt press with rotary drum screen
- 4** 粉體自動泡藥機  
Polymer preparation systems
- 5** 自動攔污柵  
Bar screen

創新 · 質量 · 效能 · 安全  
Innovation · Quality · Efficiency · Safety