



## VACUUM REGULATORS

series **M 50 C**

*Capacity up to 200 kg/h*

### GENERAL

Vacuum regulators series M 50 C function in the same way as M 20 C Vacuum regulators, with the only difference that they are designed to feed larger amounts of gas.

M 50 C regulators consist of:

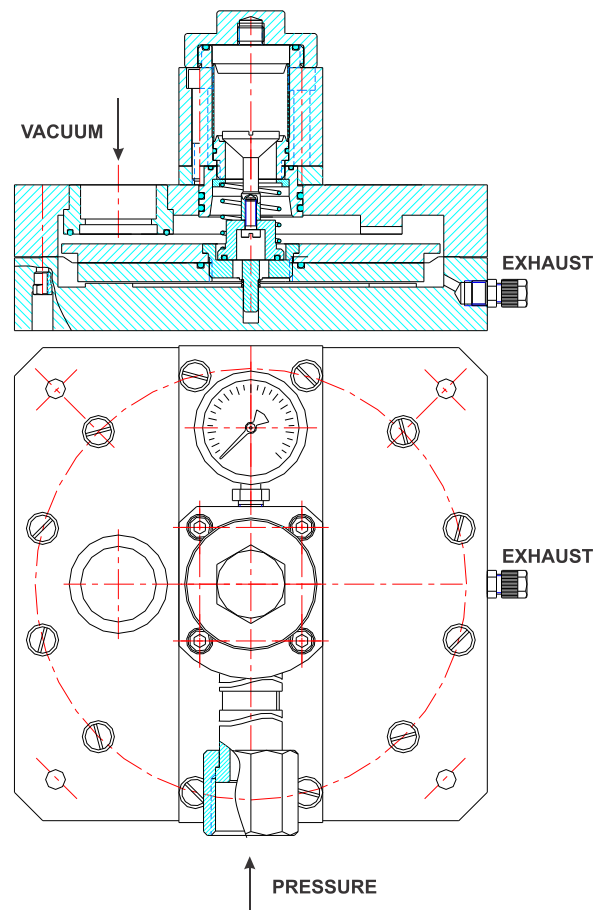
- inlet pressure valve
- regulator head
- pressure gauge

Optionally they can be equipped with:

- drip-leg and heater
- y-strainer
- chlorine gas filter

### OPERATION PRINCIPLE

Gas pressure (Cl<sub>2</sub>) builds up only at the yoke adapter of the regulator. The inlet valve prevents gas from entering the system without control. When the ejector has generated enough vacuum to overcome the force of the check valve, gas chlorine travels along the vacuum line through the flow meter and the rate valve to the ejector, where it thoroughly mixes with water.



ORDER CODES



**M 50 C / X M F T H**

Model ——— |  
 Gas type ——— |  
 Dosing range ——— |  
 Pressure Gauge ——— |  
 Filter ——— |  
 Drip-leg ——— |  
 Heater ——— |

**OPTIONS:**  
 -Gas type: "C" - Cl<sub>2</sub>, "CO2" - CO<sub>2</sub>, "S" - SO<sub>2</sub>, "N" - NH<sub>3</sub>  
 -Dosing range\*: is chosen from technical data table below and the suitable number is written into the ordering code  
 -Pressure gauge : yes "M", without it the letter is not written in  
 -Filter: yes "F"; if selected, then drip-leg "T" and heater "H" can't be present  
 -Drip-leg: yes "T", without it the letter is not written in  
 -Heater: yes "H"; can only be written in if the drip-leg is present

TECHNICAL DATA



<b>Dosing Range(X)* : (in kg/h)</b>	<b>Gas types :</b>	<b>Accuracy :</b>
60 up to 60	C=Cl <sub>2</sub>	Within 4% of flow
80 up to 80	CO2 = CO <sub>2</sub>	
120 up to 120	S=SO <sub>2</sub>	<b>Operating range :</b>
160 up to 160	N=NH <sub>3</sub>	20 : 1
200 up to 200		
		<b>Dimensions:</b>
		M 50: 673 x 488 x 179 mm

<b>Connections</b>	<b>Pressure:</b>
<b>Vacuum up to 15m):</b>	Flange connection D3/4"
60 kg/h – d50 – 2"	NP16 DN20 (DIN2633)
80 kg/h – d50 – 2"	from 60 up to 120 kg
120 kg/h – d50 – 2"	
160 kg/h – d50 – 2"	
200 kg/h – d50 – 2"	
For larger vacuum lines, see table: Chlorine vacuum line size requirements	

MEASURE DRAWINGS

